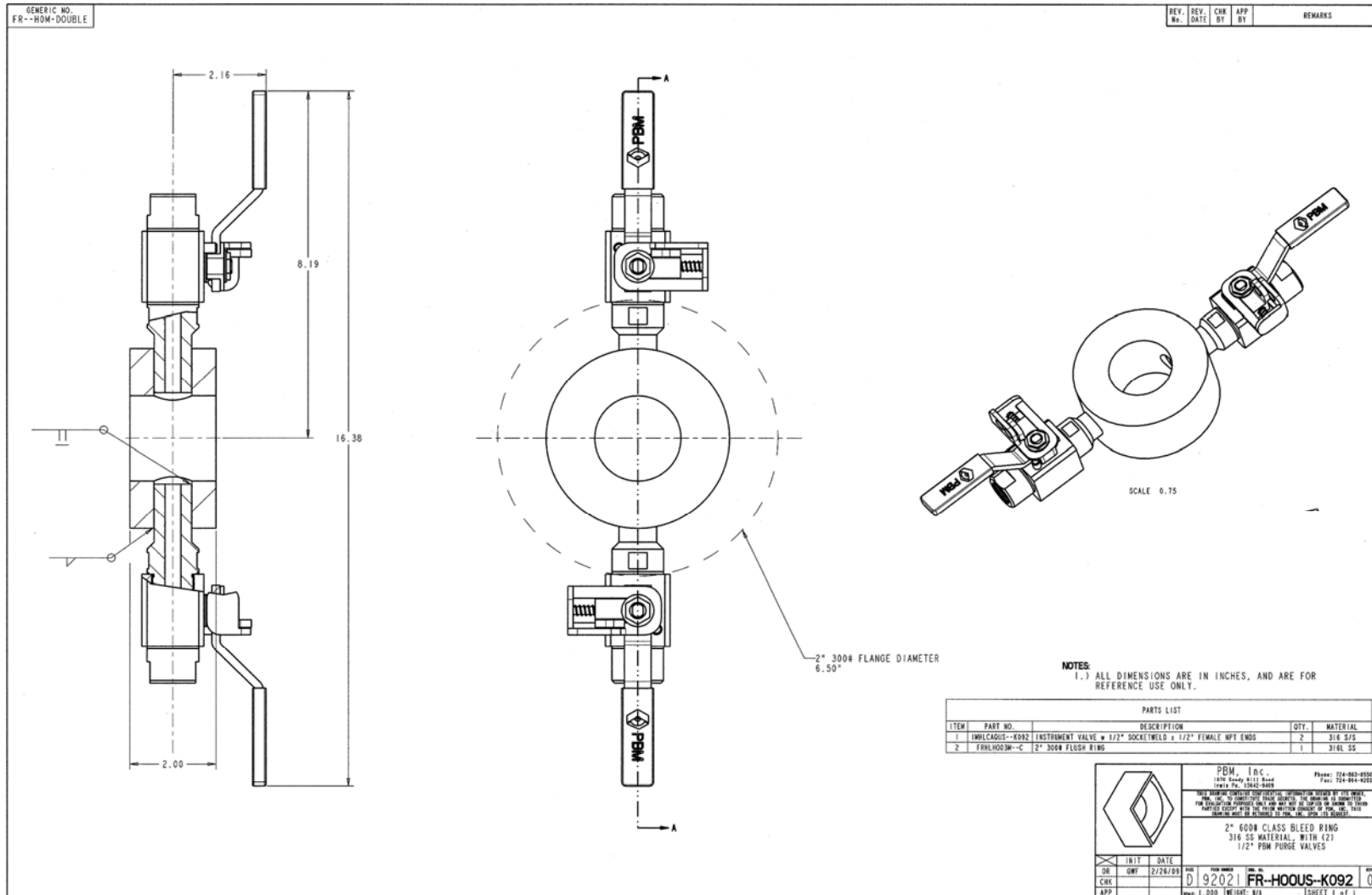


Industry: Chemical  
 Product: Bleed valves on flush ring  
 Media: HCL to sulfuric acid



www.pbmvalve.com



**Application Brief:** A leading North American manufacturer of chemicals from HCL to sulfuric acid used this valve to flush out between the valve and the transmitter. The wafer in the middle can be any size. You can use these valves any place you have a tank, transmitter, and valve.

APPL 0809-43