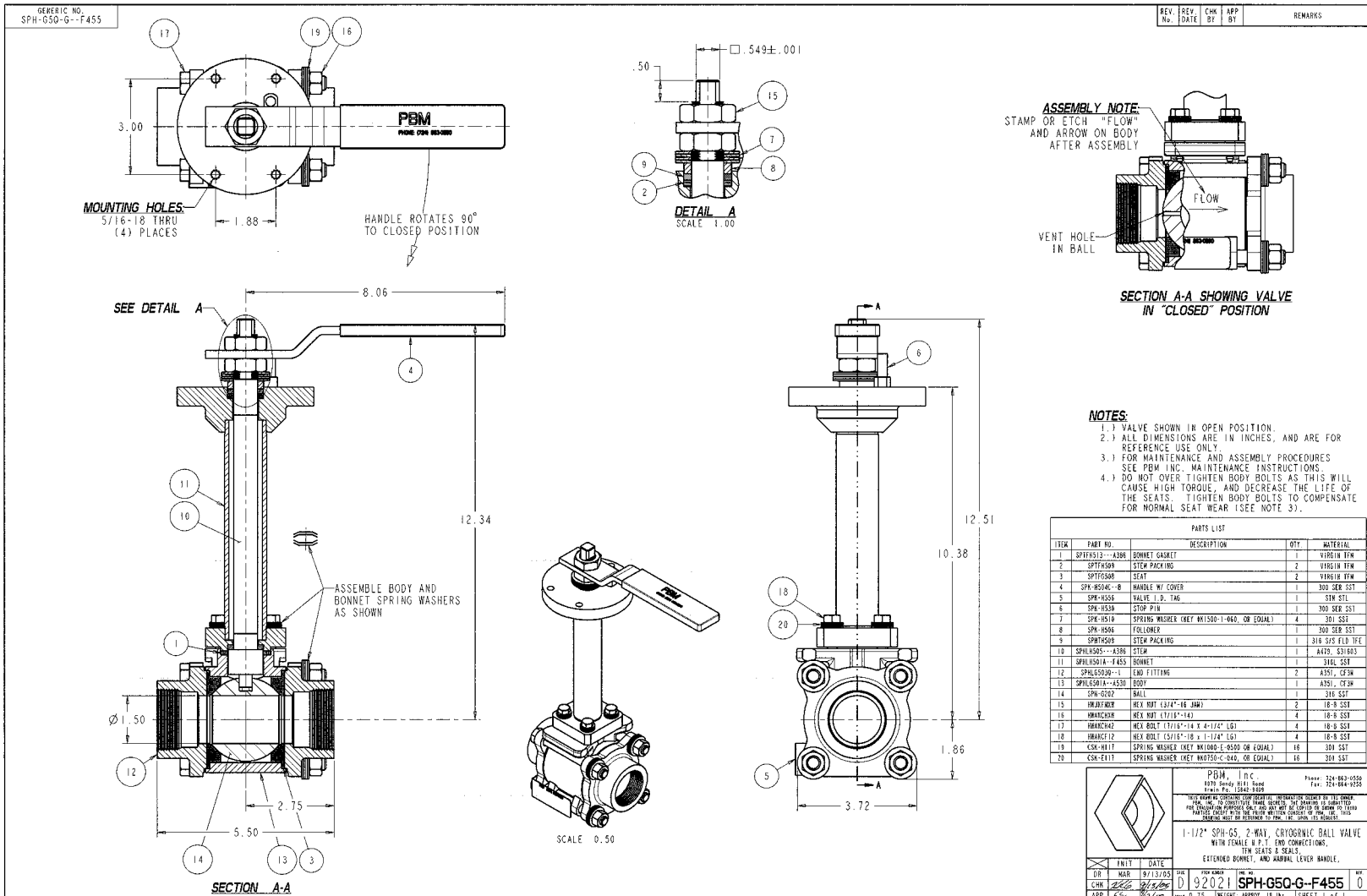


Industry: Nutraceutical
Product: 2-way Ball Valve for Cryogenic Service
Media: Liquid Carbon Dioxide (CO2)



Application Brief: A major manufacturer of livestock feed nutritional supplements required a valve to handle a process line containing liquid Carbon Dioxide (CO2). Due to the low temperature of liquid CO2, a thick layer of ice forms on process piping and valves. PBM supplied a valve with an upstream vent hole, extended stem and handle assembly, and seats and gaskets that will ensure trouble-free operation in this low temperature application.