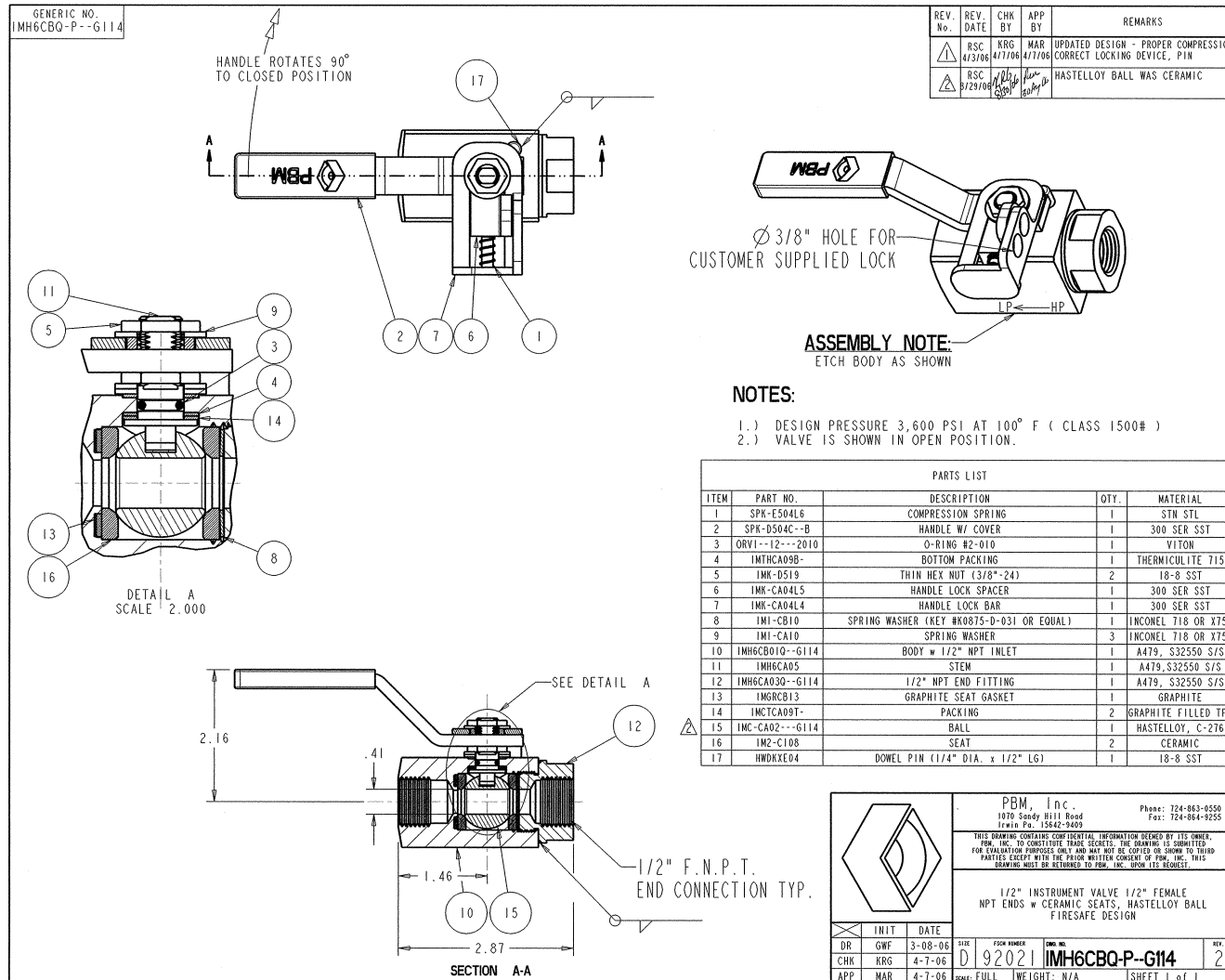


Industry: Petrochemical
Product: Instrument Isolation – Root Valve
Media: Oil, sand, saltwater

www.pbmvalve.com



Application Brief: A Major Petroleum company required an instrument root valve for use on an offshore platform. Over 600 valves were required to isolate critical instruments and gauges from process flows containing a mixture of oil, sand, and seawater. PBM designed and supplied valves with stellite seats to handle the abrasive, erosive, and corrosive environment.

APPL 0906-33