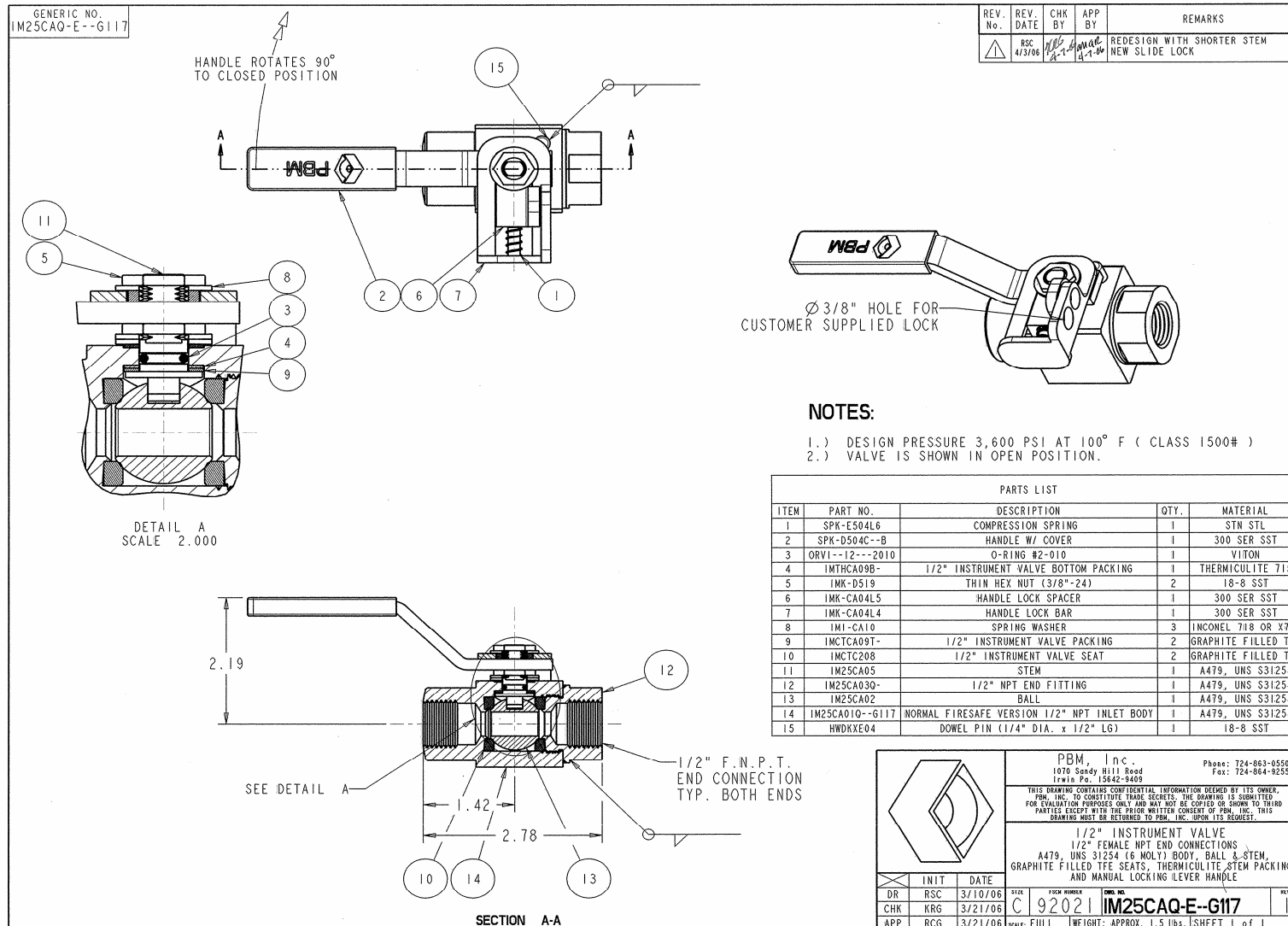


Industry: Pharmaceutical Research  
 Product: Instrument Root Valves  
 Media: Nitrogen mixed with Solvent



**Application Brief:** A major pharmaceutical manufacturer required these valves for critical instrument isolation, 1000 PSIG @ 300° C. The environment was corrosive due to the vapors produced from the mixture of nitrogen with solvent. The customer purchased PBM's instrument valves due to their success with PBM's Self Cleaning ball valves.

APPL 0908-37