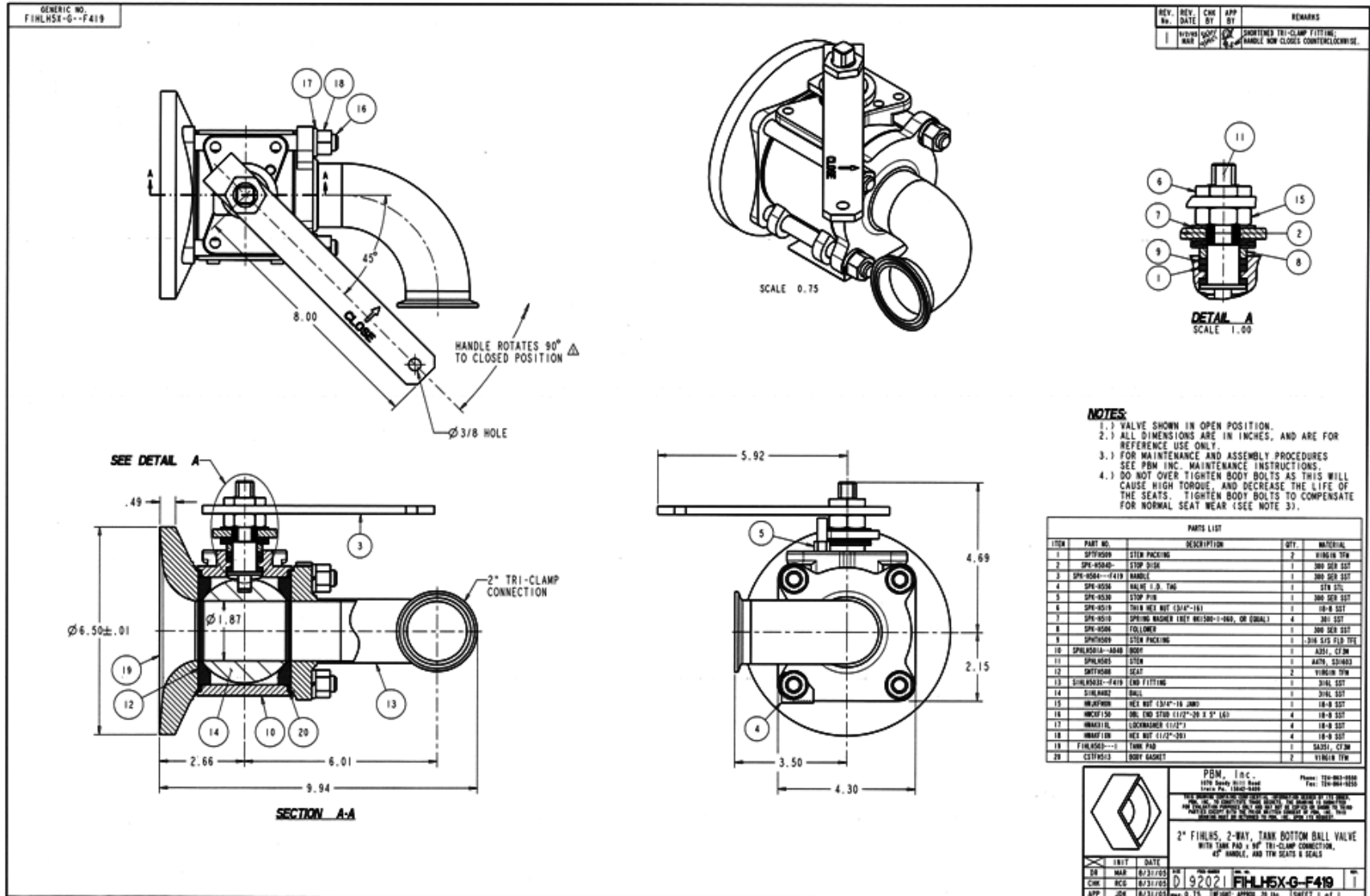


Industry: Chemical

Products: 2", 316L Stainless, Series 5 Flush Tank Ball Valve, with a 90 degree

Tri-Clamp outlet, TFM® Seats & Seals, with a special handle to accommodate customer's reach rod

Media: Paint



**Application Brief:** Customer was currently using a mixture of PBM Series valves along with some Apollo valves. New 500 gallon tote tanks were being proposed and PBM was the valve of interest. In working with the Plant Engineer, we were able to come up with a design that made the handle operation easier and outfitted the outlet with a 90 degree Tri-Clamp to allow hose hook-up without various adapters.

APPL 0908-40