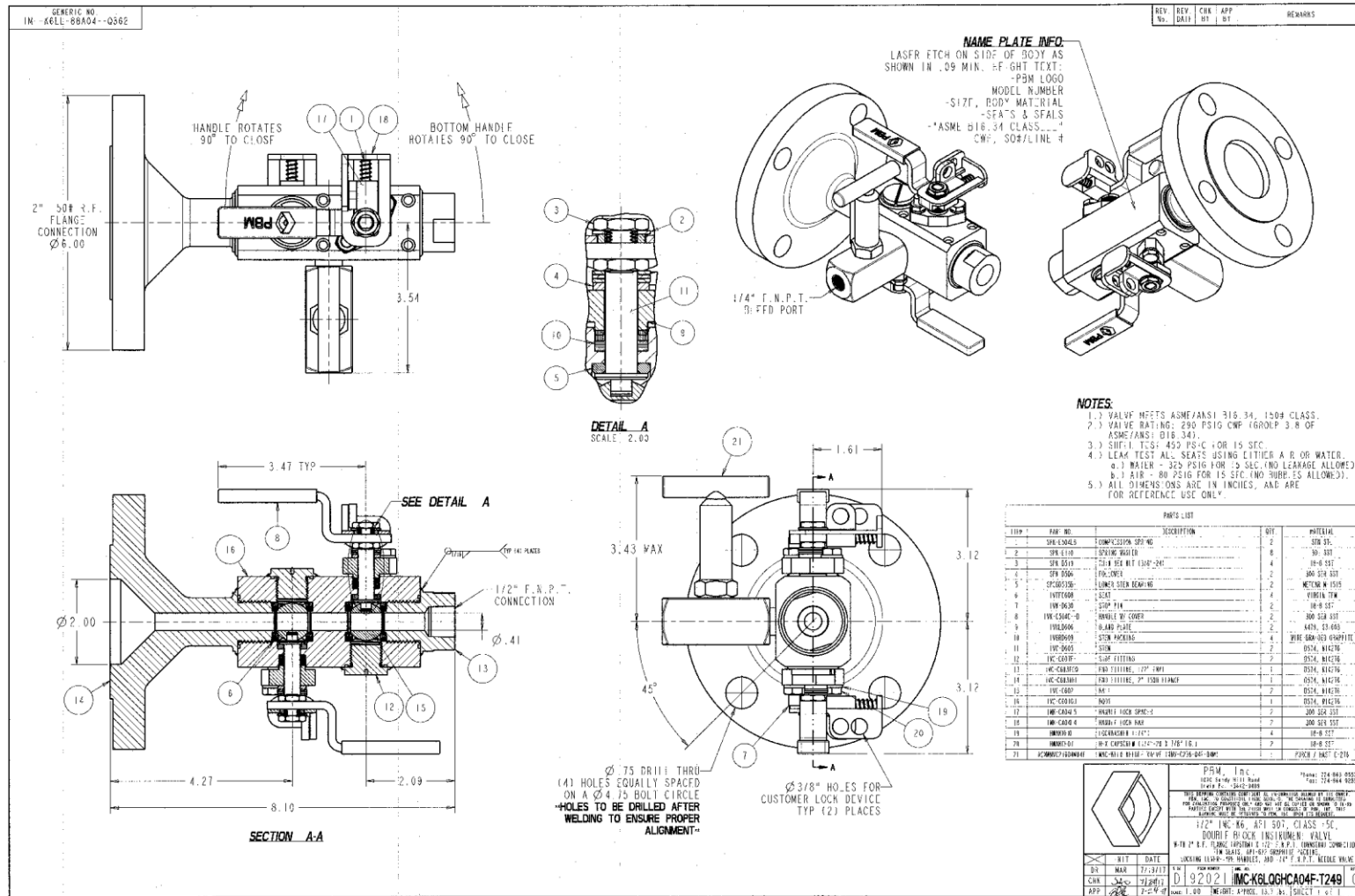


Industry: Chemical Manufacturing
Product: 1/2" Double Block & Bleed Firesafe
Media: Corrosive Gases



Application Brief: Existing process system has corrosive gases at various levels in the column. Client needs instrument interface capability and upgraded safety of double positive isolation in Hastelloy 276. Existing Flanges on column are 2" 150#RF but reduced porting for the instrument readings is satisfactory. Changing / cutting vessel ports is, as always, undesirable for cost, recertification, downtime, etc. PBM provides effectively a standard IM DBB valve mounted to simple custom flange interface."

APPL 0917-116