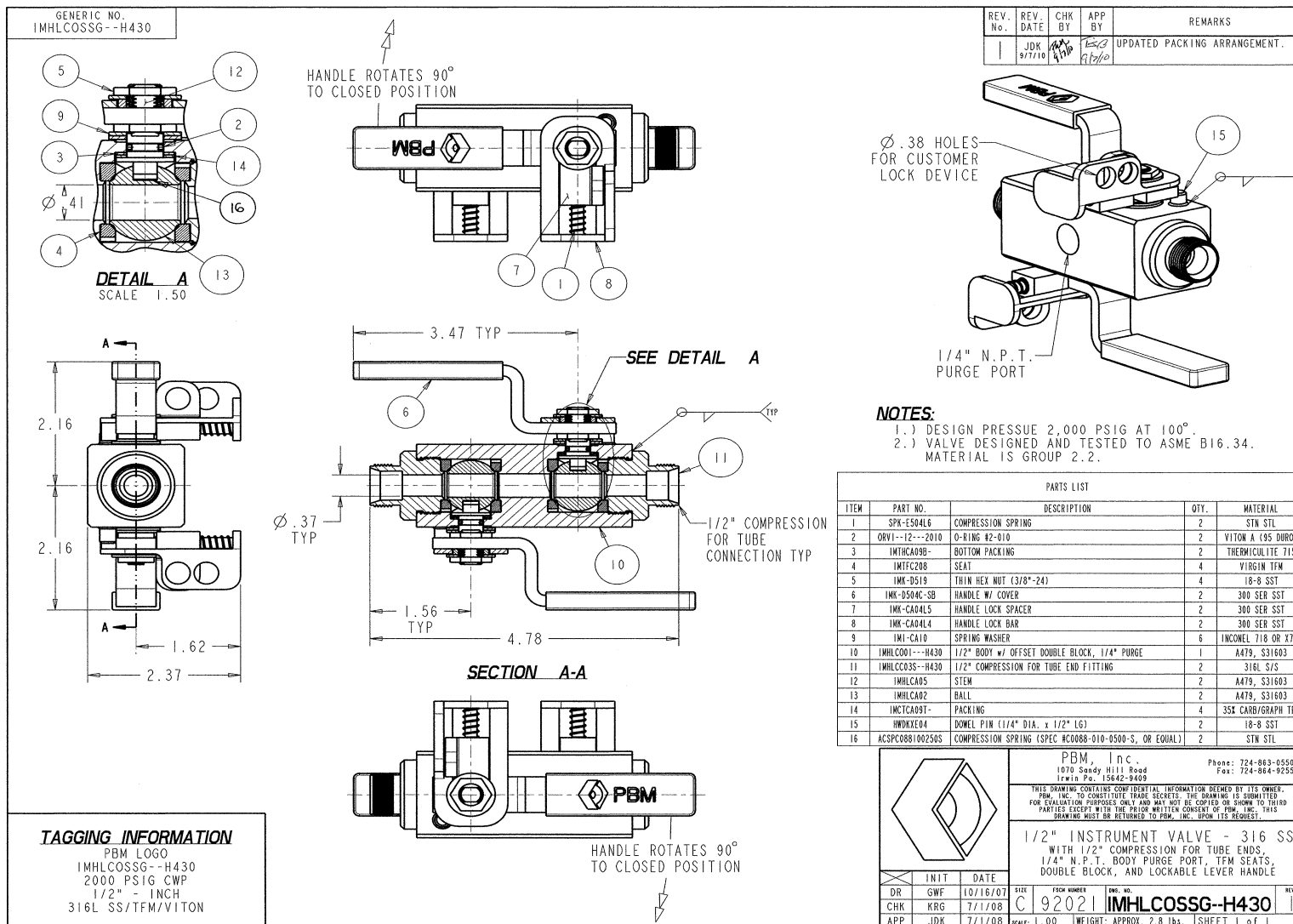


Industry: Refinery
Product: 1/2-inch 2000 psig Double Block & Bleed Instrument Valve
Media: Gases and Steam



www.pbmvalve.com



Application Brief: A major petroleum company had a need for isolation valves used on wedge meters. They selected PBM double block and bleed valves for their safety and reliability, tight shut-off for isolating gauges, and ability to fit inside the pre-existing envelop dimensions of their instrument panel.