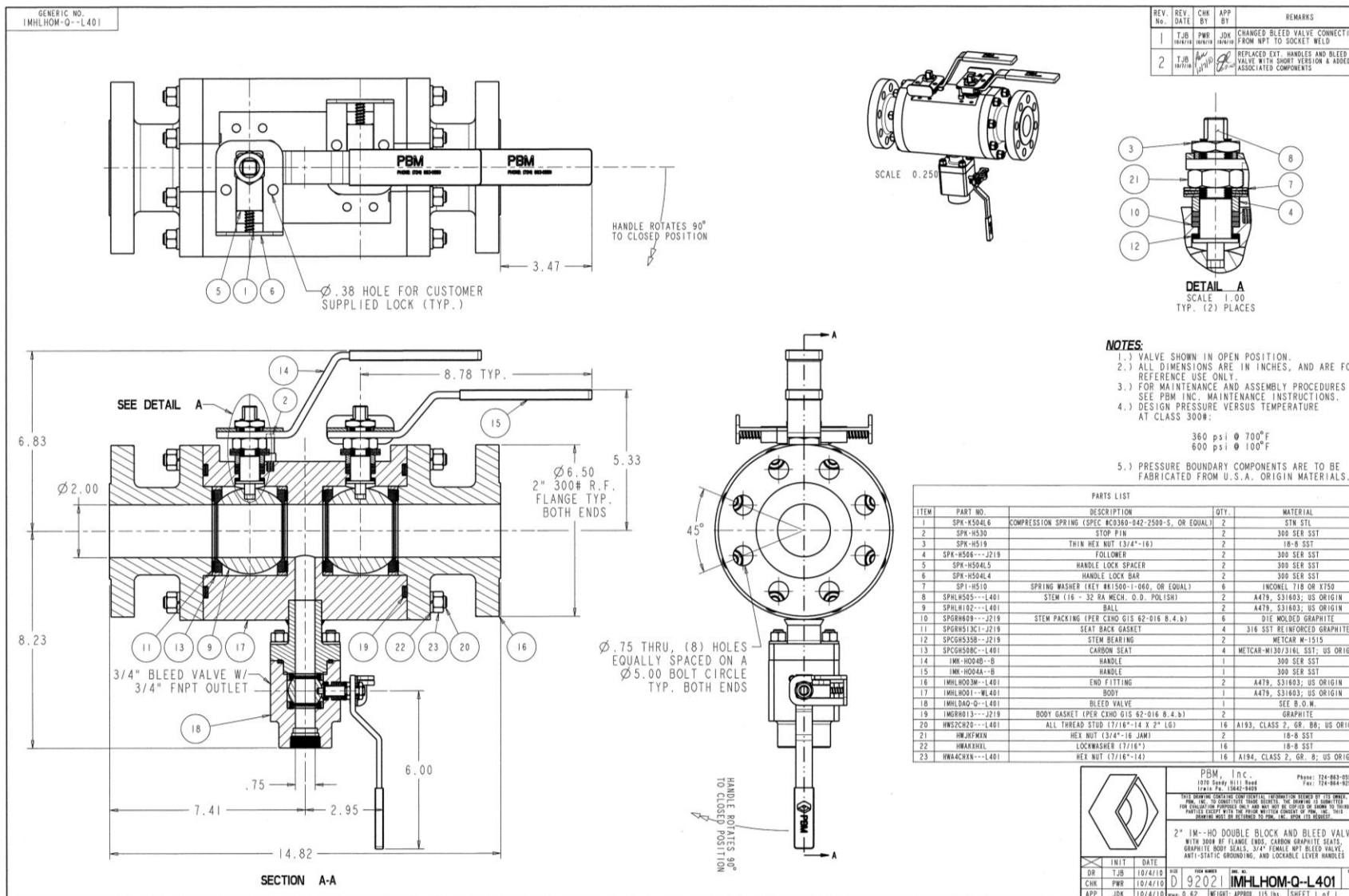


Industry: Refining
Product: 2-inch full port Class 300 Double Block and Bleed Valve
Media: Hydrocarbons (temperatures under 400) – oil sands crude



www.pbmvalve.com



Application Brief: A major petroleum company required a valve for isolating high pressure media from the sensitive gauges used to monitor process conditions. PBM's Double Block and Bleed valve with carbon-graphite seats and seals provided a safe and reliable tight shut-off for isolation of the gauges for maintenance. The PBM double block and bleed valve was also 1/2 the length, 1/2 the weight, and 1/2 the cost vs. a traditional gate valve configuration.

APPL 1010-55