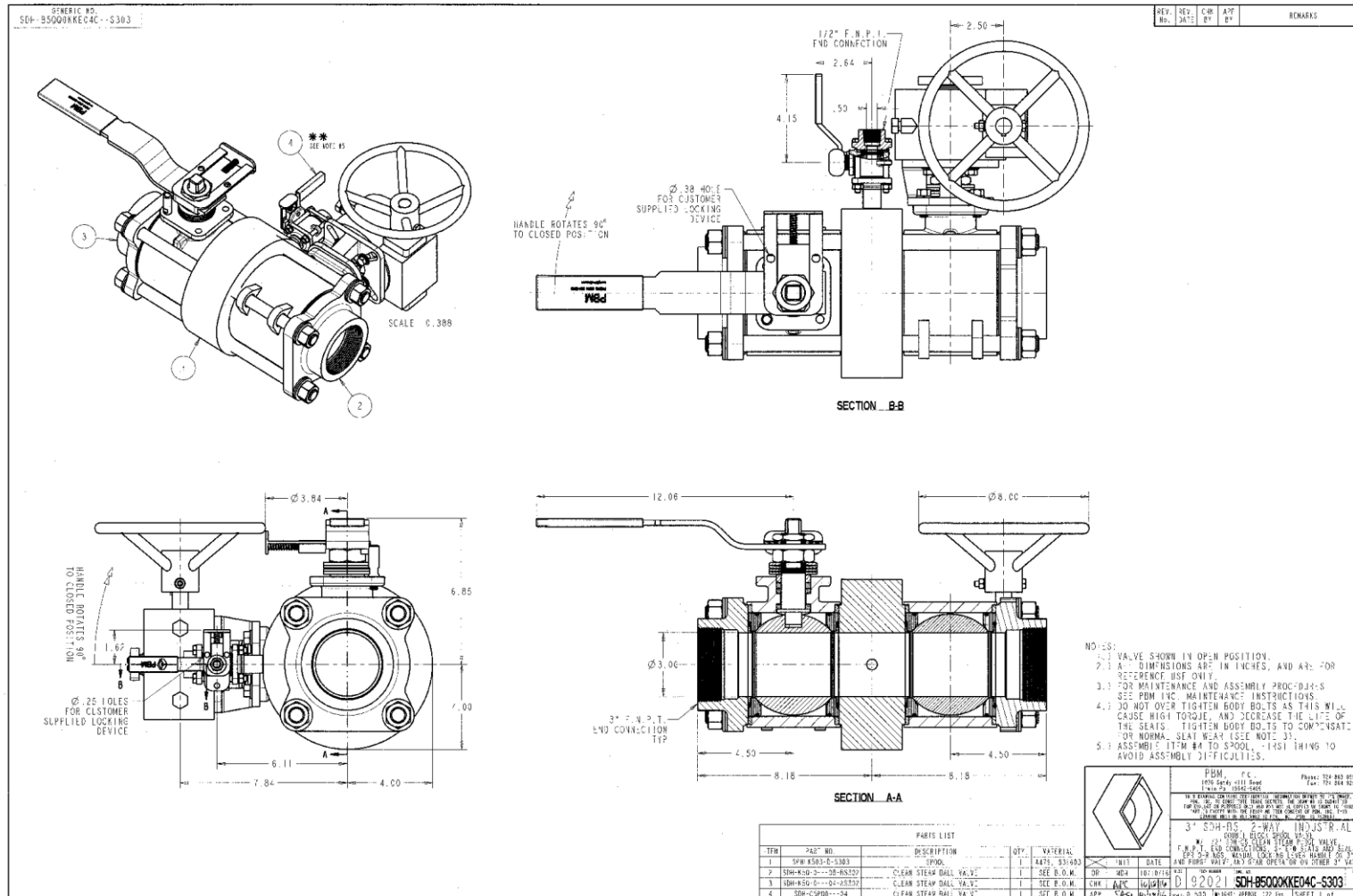


Industry: Food
 Media: Steam Distribution
 Products: Double block and bleed steam assemblies

www.pbmvalve.com



Replace gate valves, tighter envelope, and 1/4 turn, inline maintain, worm gears on upstream to allow a gradual turn on of steam when coming back into service to avoid system shock. Valve assemblies can take the other guys out of the game, DBB assembly is under one 'asset' designation in their CMMS system. Theoretically less packing leaks for the 1/4 turn projects. Size depends plant steam distribution, so then might use large for a 'wing' or suite, smaller for an equipment 'cluster' where the skids are interdependent and are taken down as a whole, or smaller where independent pieces consuming steam can still operate if others are down. Advocacy is for a survey of such with maintenance planners etc. - Safety and lock out of course.

APPL 1016-113