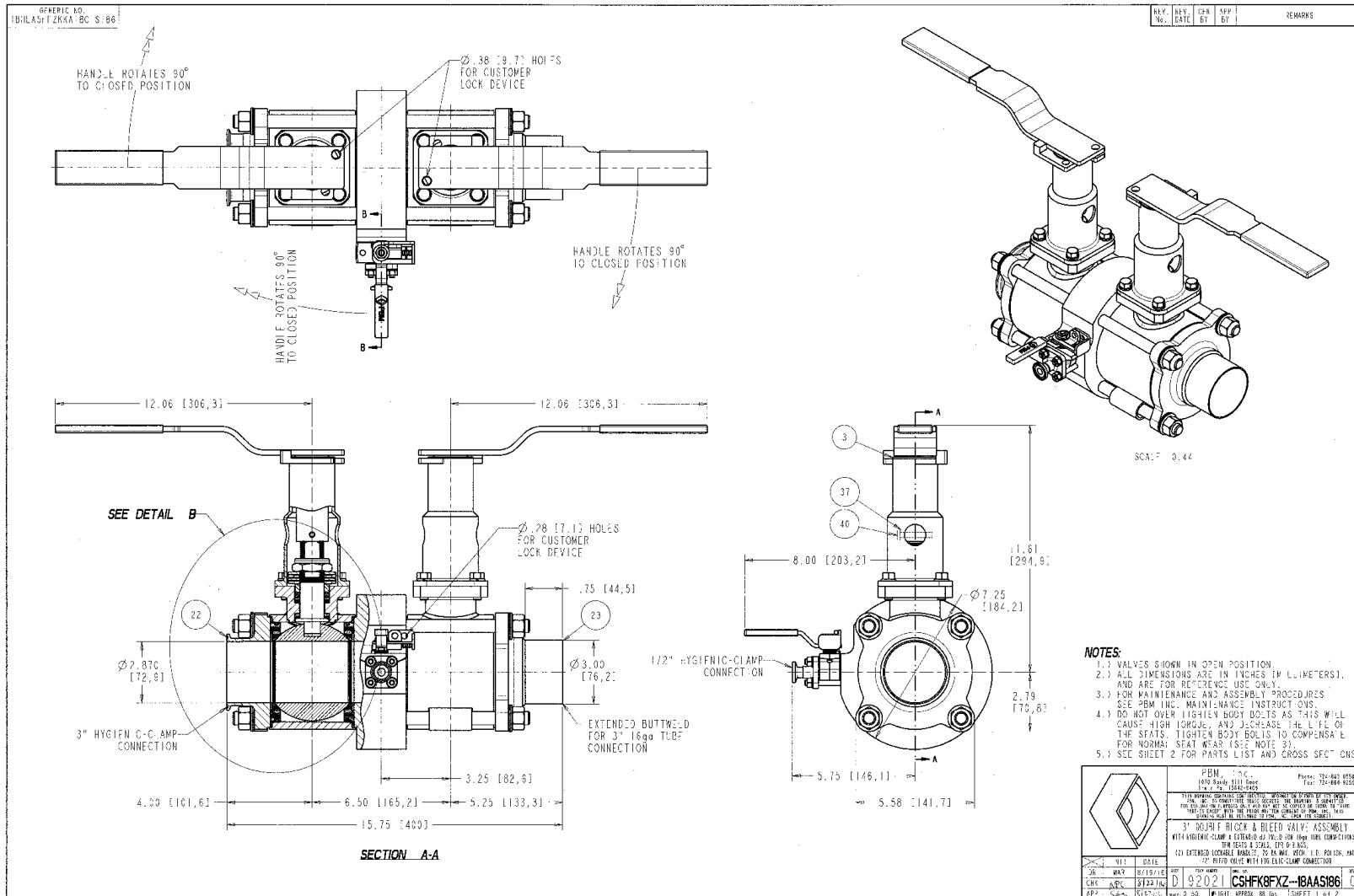


Industry: Pharmaceutical
Product: Clean Steam Double Block and Bleed Valves
Media: Pure steam feed



APPL 1016-114

Application Brief: A major pharmaceutical company needed forged 3 and 4-inch double block and bleed clean steam valves