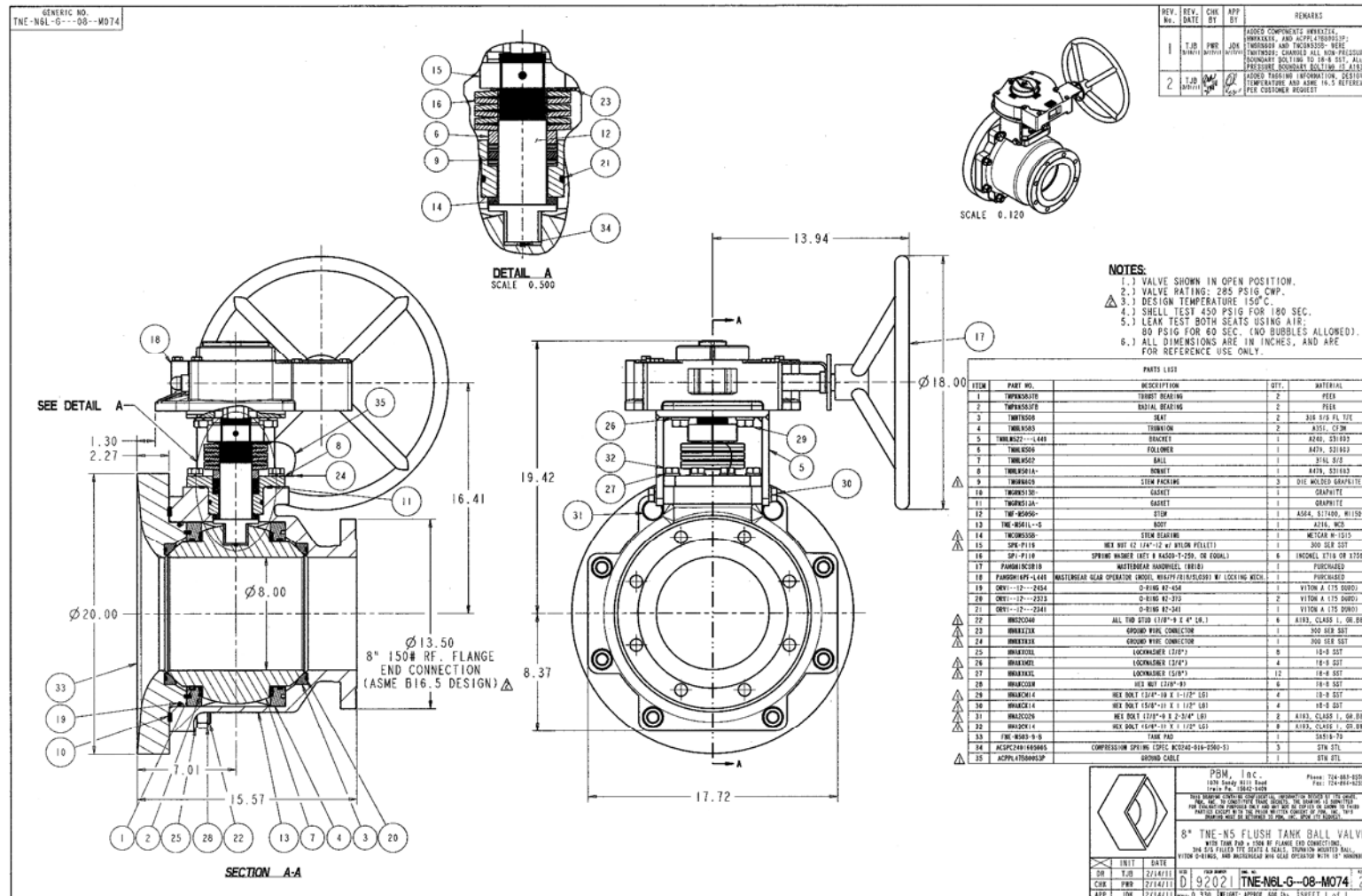


Industry: Chemical and Consumer Products
 Products: 8" Trunnion Flush Tank Ball Valve
 Media: Production of Styrene Rubber Solution



www.pbmvalve.com



Application Brief: As part of a petrochemical integrated plan, this company produces general purpose polystyrene and high impact polystyrene (HIPS), a copolymer of rubber and styrene. HIPS has high impact and flexural strength and is widely used for industrial and consumer products. PBM's 8" trunnion flush tank valve, flange outlet, with S-TEF® seats and seals and manual gear operator has a design temperature of 150°C / 302°F.

APPL 1111-63