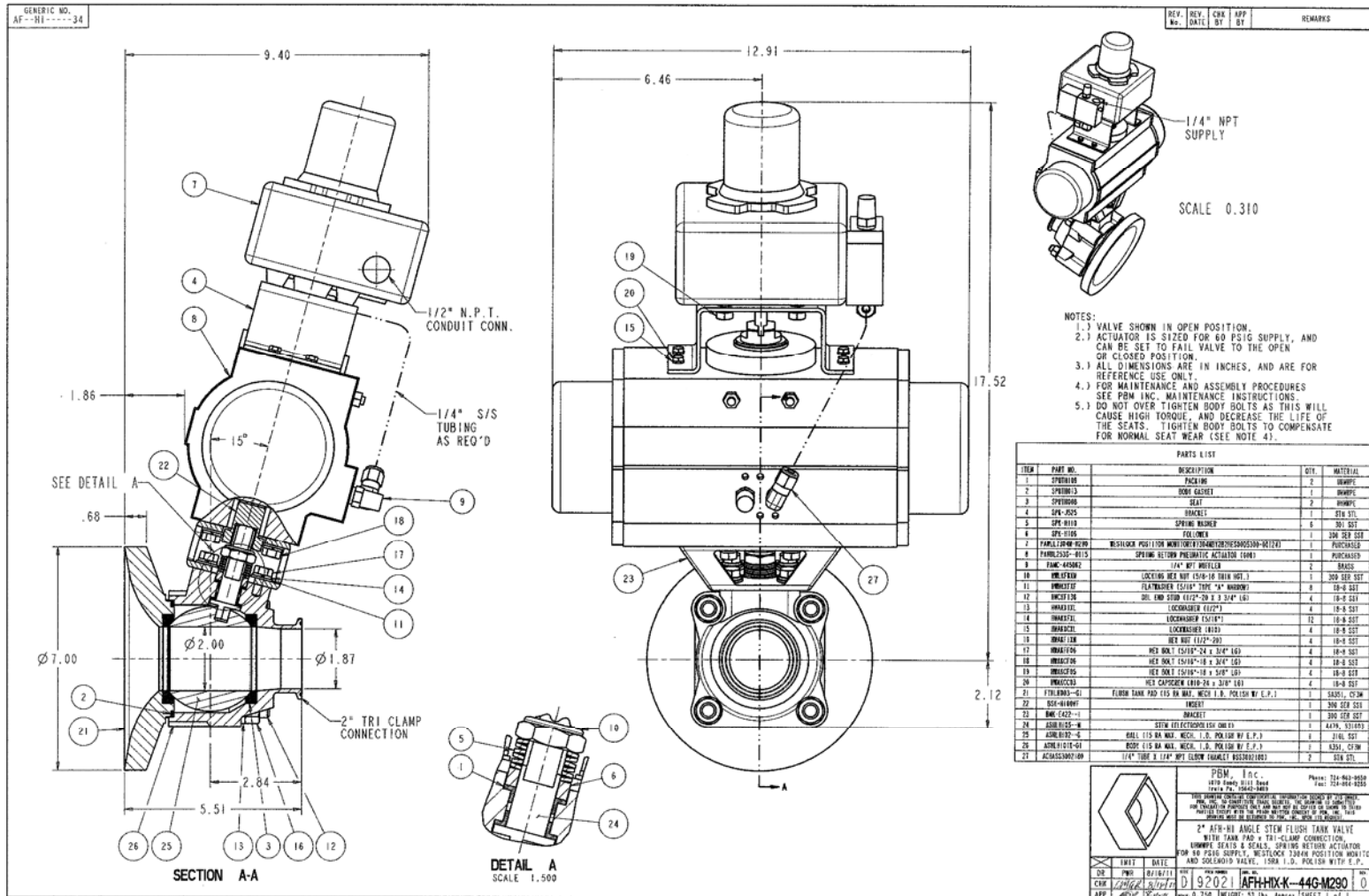


Industry: Tobacco
Products: Angle Stem Flush Tank Valve
End Use: Smokeless tobacco



Application Brief: An American smokeless tobacco company uses PBM Angle Stem Flush Tank ball valves on their mixing tanks. This PBM valve with a WL 7304 Fieldbus controller is used at 60-80 psig and a temperature of 165-185°F.

APPL 1111-64