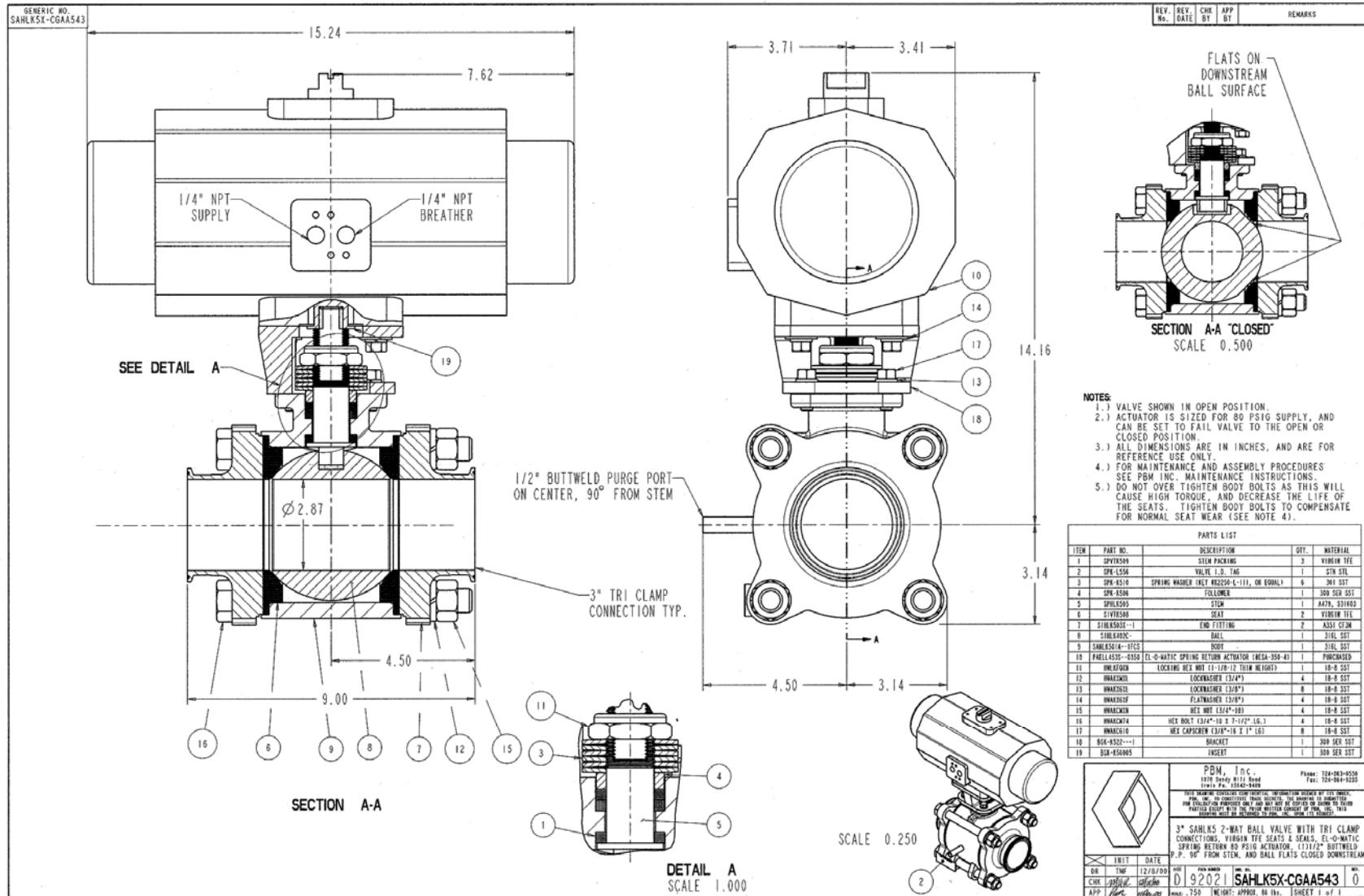


Industry: Food & Beverage
 Product: Aseptic 2-Way valve
 Media: Starch Slurry / Cocoa Slurry



Application Brief: 2-way PBM ball valves were fitted below a gravity fed funnel feeding ambient temperature starch and cocoa slurries used in the food processing production of puddings. Customer was looking for clean-in-place with milled flat ball for cleaning the downstream pipe as well as the body cavity.

APPL 1211-69