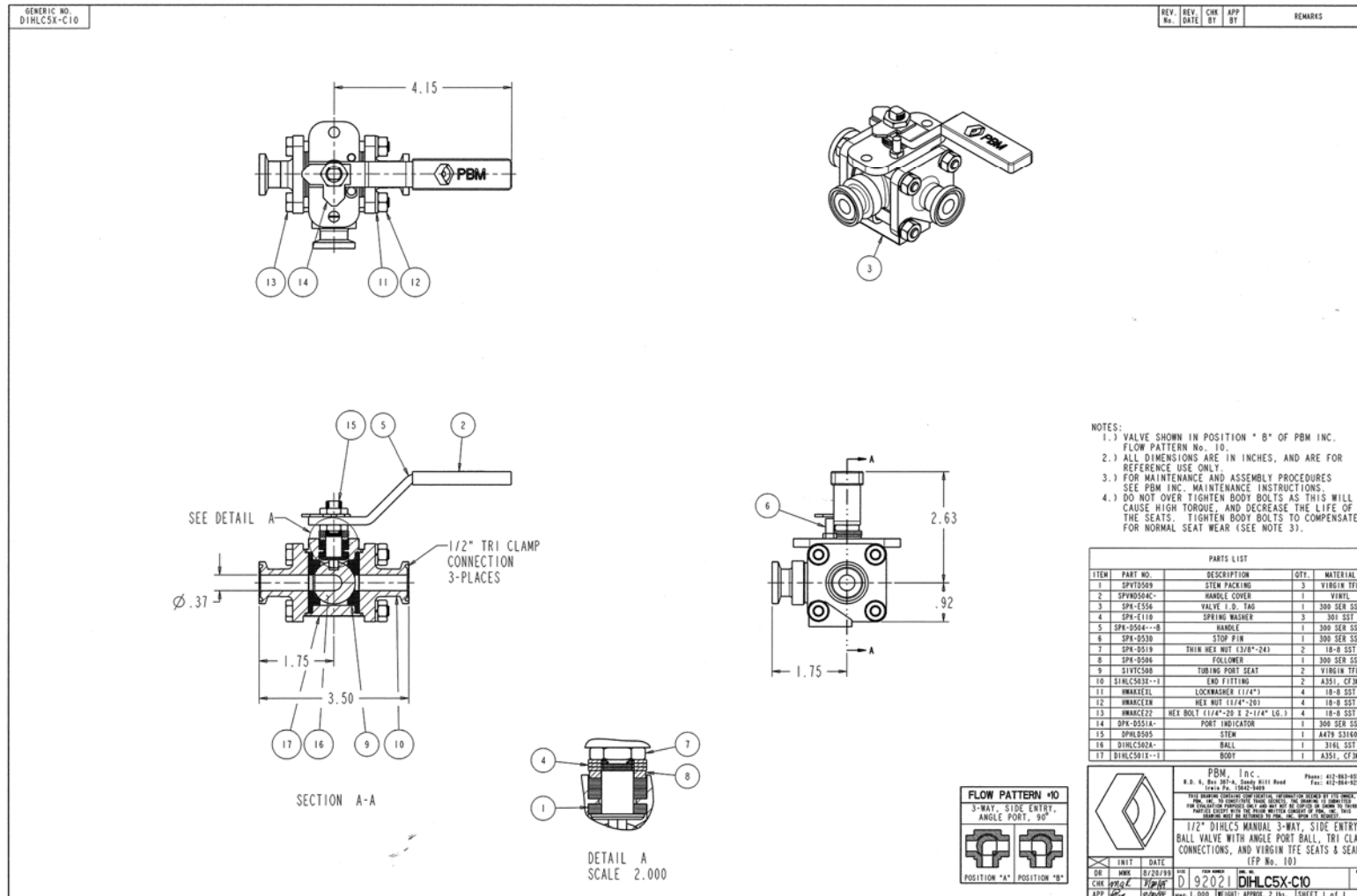


Industry: Consumer Products
 Product: Diverter Port Sanitary Ball Valves
 Media: Liquid soap line



Application Brief: A Cosmetic company often relied on diaphragm valves to handle their sanitary applications. PBM's adjustable sealing not only allowed in-line adjustment for normal valve wear, but also allowed for Clean-in-Place without process interruption. They preferred not to use purge ports to assist in valve cleaning, and discovered how milled ball flats on both the upstream and downstream side could accommodate this instead. They also like the benefits of the lift out/swing out feature and reviewed the various seat and seal material options for steam applications. The valve had to handle the 176°F temperatures of CIP service.

APPL 1211-71