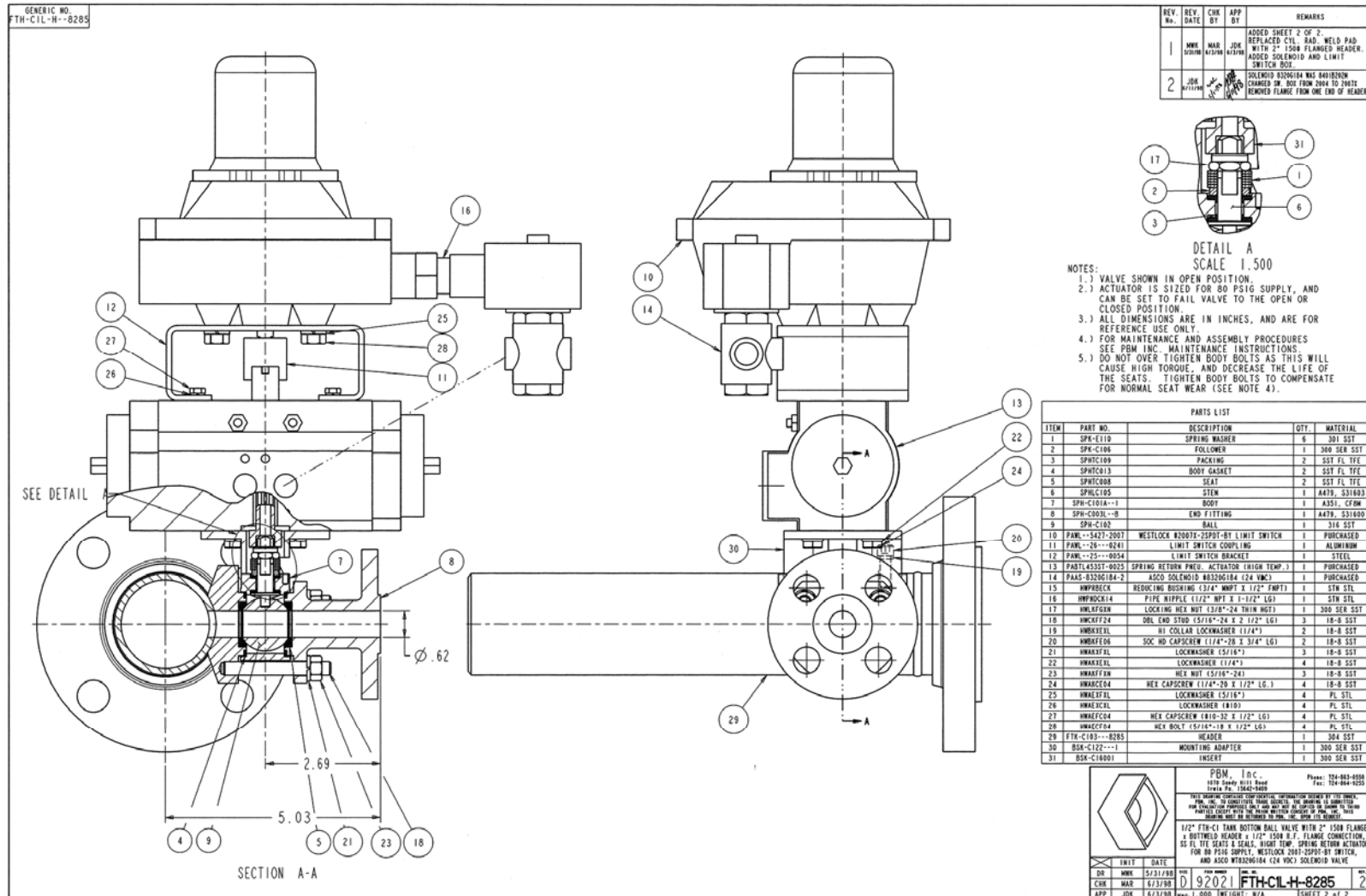


Industry: Chemical
 Product: Fabflex® Assembly
 Media: Colored Ink Reactors



Application Brief: A Pacific Northwest manufacturer of replacement solid color ink "crayons" had a requirement for fabricated valve manifolds for use on each color ink reactor. PBM valve fabricated assembly consisted of a 1/2" 316 Stainless steel Flush Tank valve with cylindrical radius pad welded to a 1.5 inch butt weld by 150 lb. flanged header. The process media is injected into a reactor through the PBM valve and header at ambient temperature; the reactor is brought up to 392°F typical. Pressure at injection is 50 psig. Typical cycling is 10 cycles per shift, 2 shifts per day. Design and delivery played major roles in this computer/printer firm's choice.