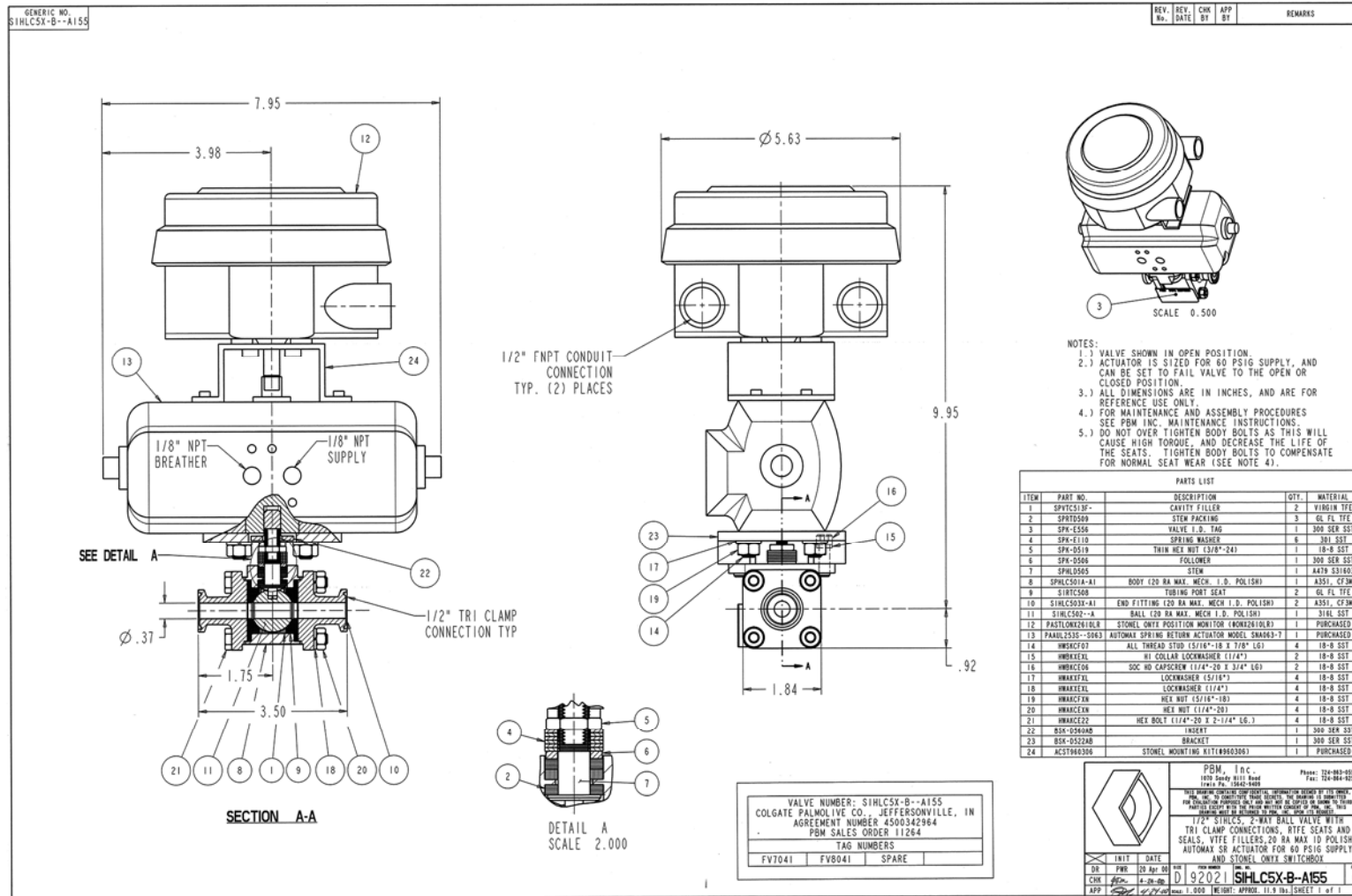


**Industry: Consumer Products**  
**Product: Igenix® 2-Way Ball Valves**  
**Media: DI water, caustics, propylene glycol, glycerin, steam, etc.**



**Application Brief:** PBM's sanitary 2-Way ball valves were used on a variety of processes including DI water, caustics, potassium nitrate, propylene glycol, glycerin, steam, carbowax, and chilled water. The door opened also for PBM's Angle Stem flush tank valves with spray nozzles for tank cleaning on this manufacturer's toothpaste line.