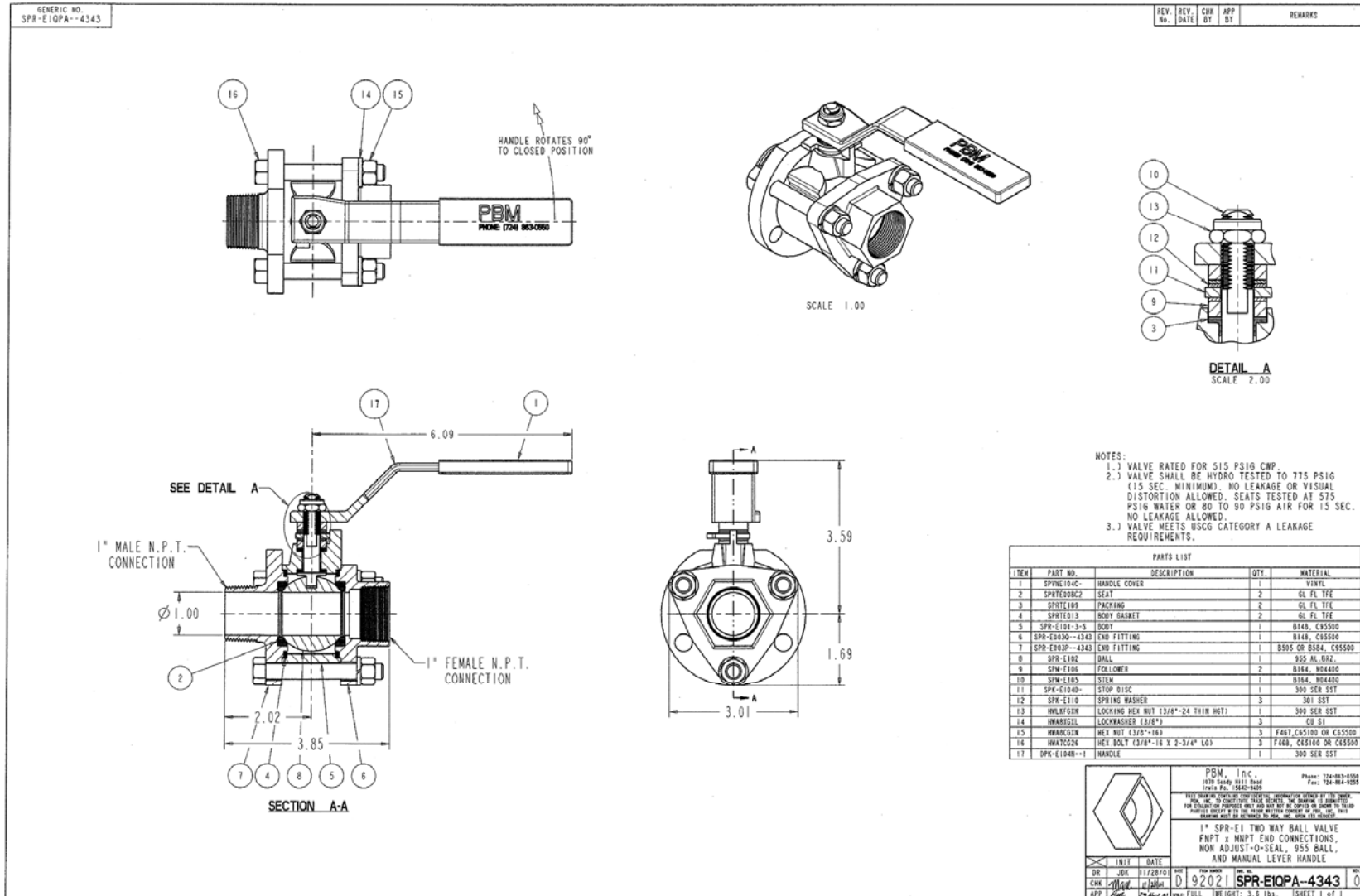


Industry: Marine & Offshore
 Product: 2-Way Al-Bronze
 Media: Seawater



Application Brief: PBM's 2-Way valves were used on an offshore platform at 515 psig and ambient temperature. These valves meet USCG Category A shutoff and can stand up to seawater environments.

APPL 1211-79