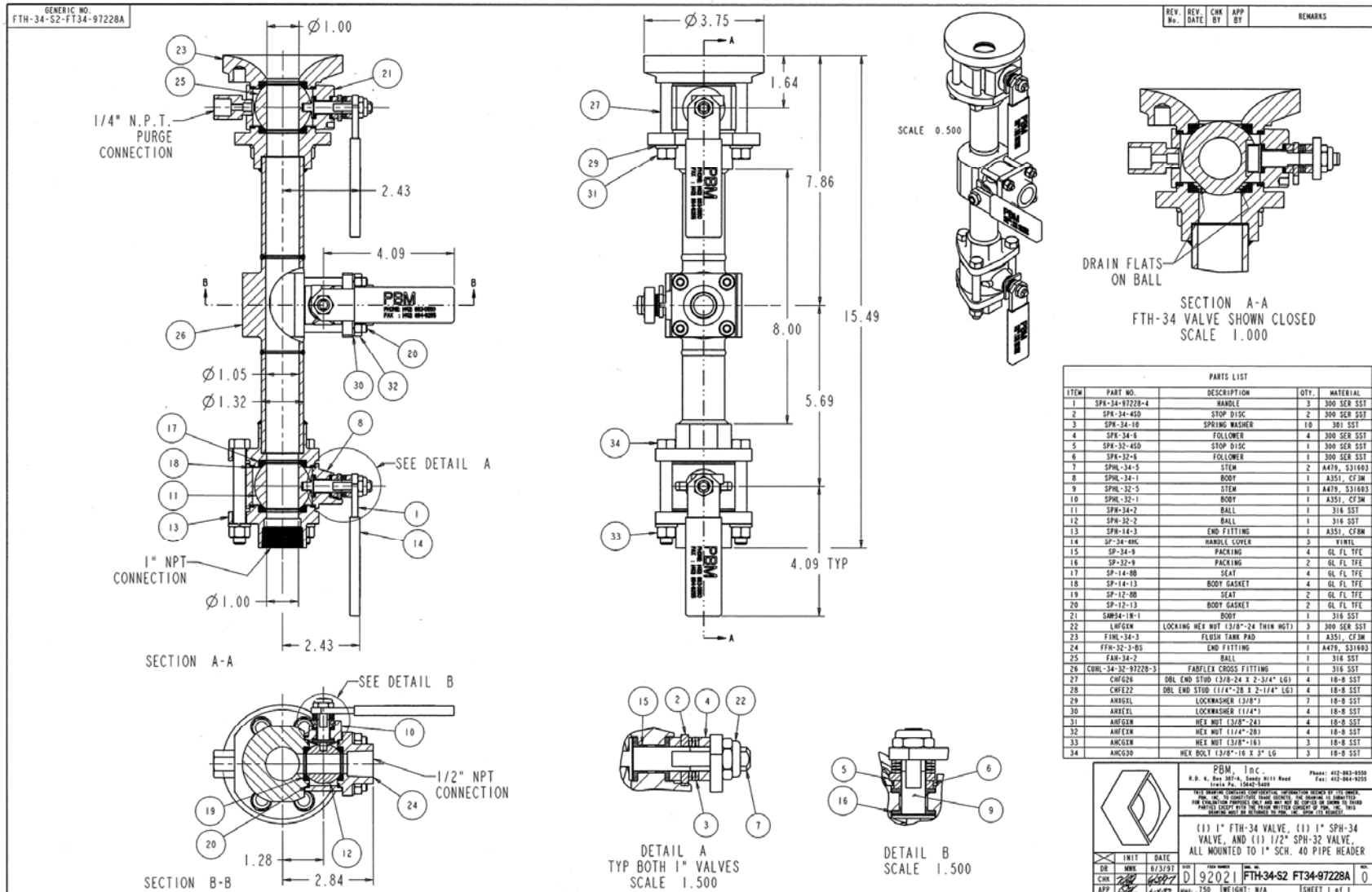


**Industry:** Pulp & Paper  
**Product:** Fabflex® valve , Flush Tank valve, 2-Way  
**Media:** Stock lines ranging from ½% to 12% pulp stock



**Application Brief:** Clean-in-place and sampling were two objectives in this application. The procedure would include the capability of cleaning the valve in place, opening the valve, taking a sample, closing the valve, and cleaning in place again. The testing included placing a sensor inside of the Fabflex header measure the pulses in the paper stock. The pressure wave in the pulp needed to be measured at all times, and a pressure gauge was the best solution. The flush valve at the top of the whole configuration also had a purge port and milled flats to accommodate clean in place.