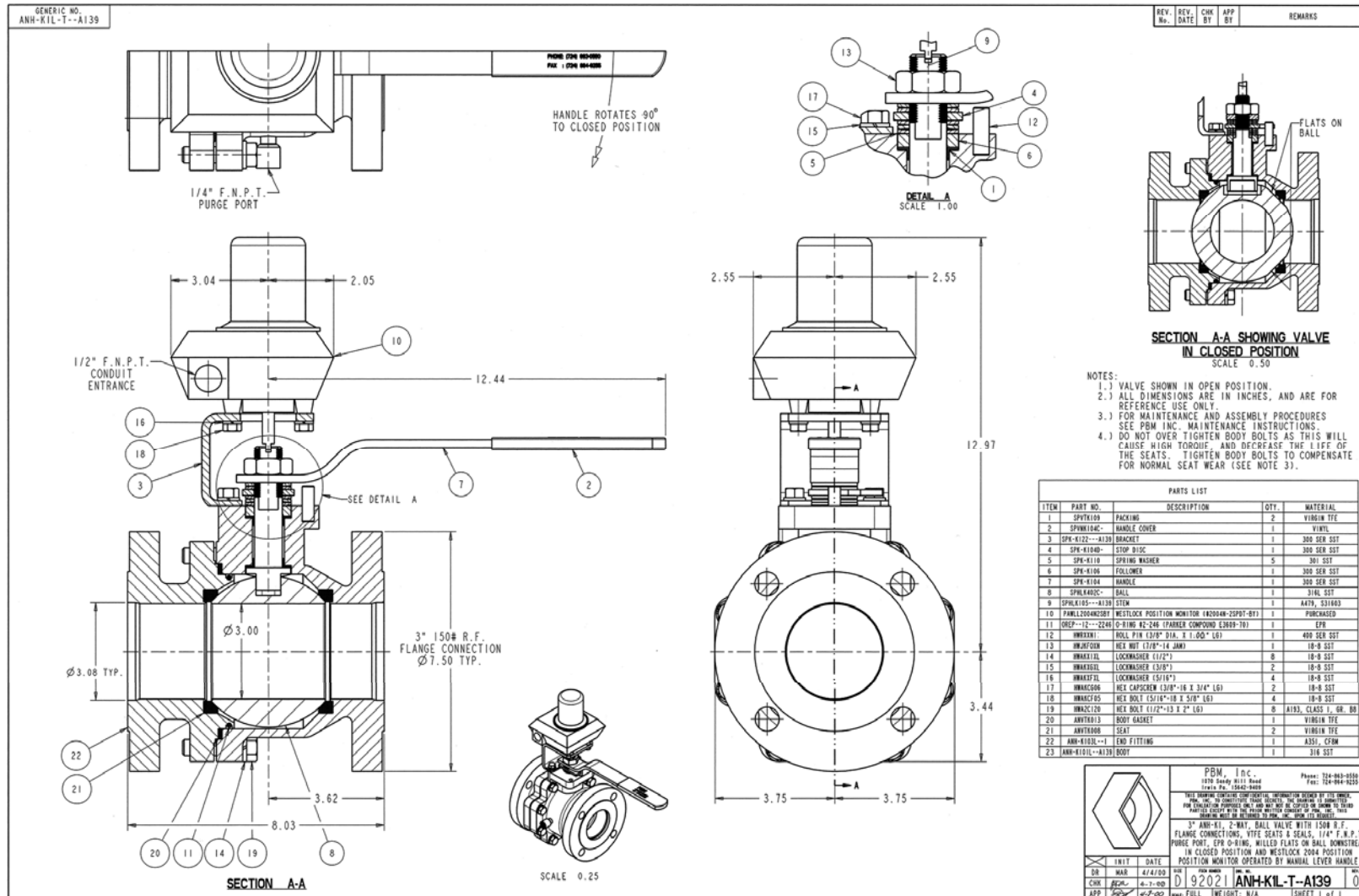


Industry: Food & Beverage
 Product: ANSI Full Port
 Media: Caramel



Application Brief: A major food processor required a 2-way 3-inch flanged valve to introduce into a batch process vessel. Isolation during process vessel is extremely critical, PBM's tight shut-off, along with adjust-o-seal played a critical role in this critical process. This manually operated valve also had a position indicator showing both local and remote valve position.

APPL 1211-82