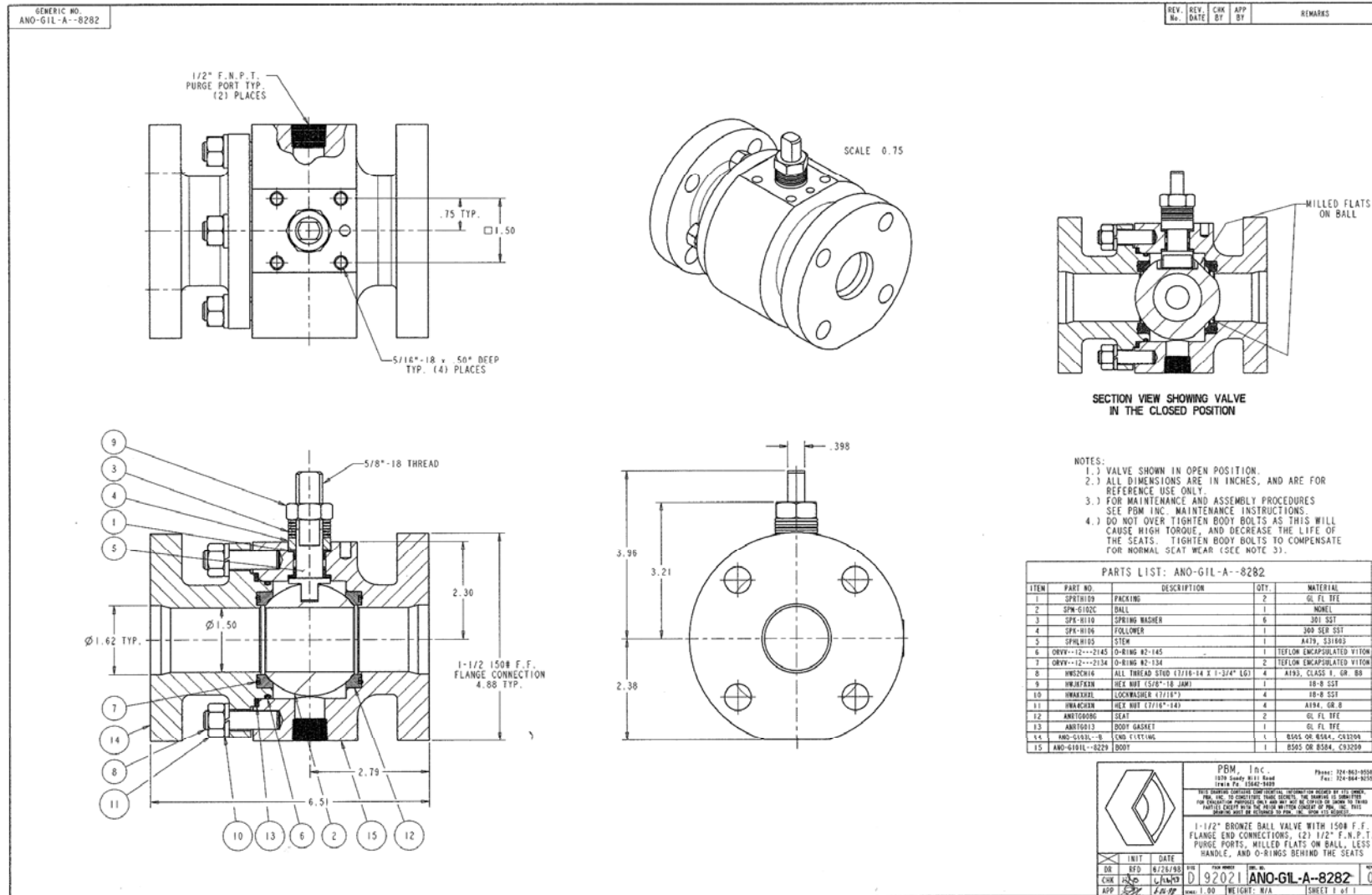


Industry: Food & Beverage  
 Product: ANSI  
 Media: steam and water for manufacture of xanthan gum



**Application Brief:** A manufacturer of xanthan gum uses a critical multi-state fermentation process followed by a number of processes to sterilize, remove excess alcohol, and package the final product. PBM has a number of utility valves located in steam and water lines on the seed and batch fermenters. PBM's valve durability and in-line adjustability contributed to a drastic decrease in downtime compared with previously used ball valves.

APPL 1211-84