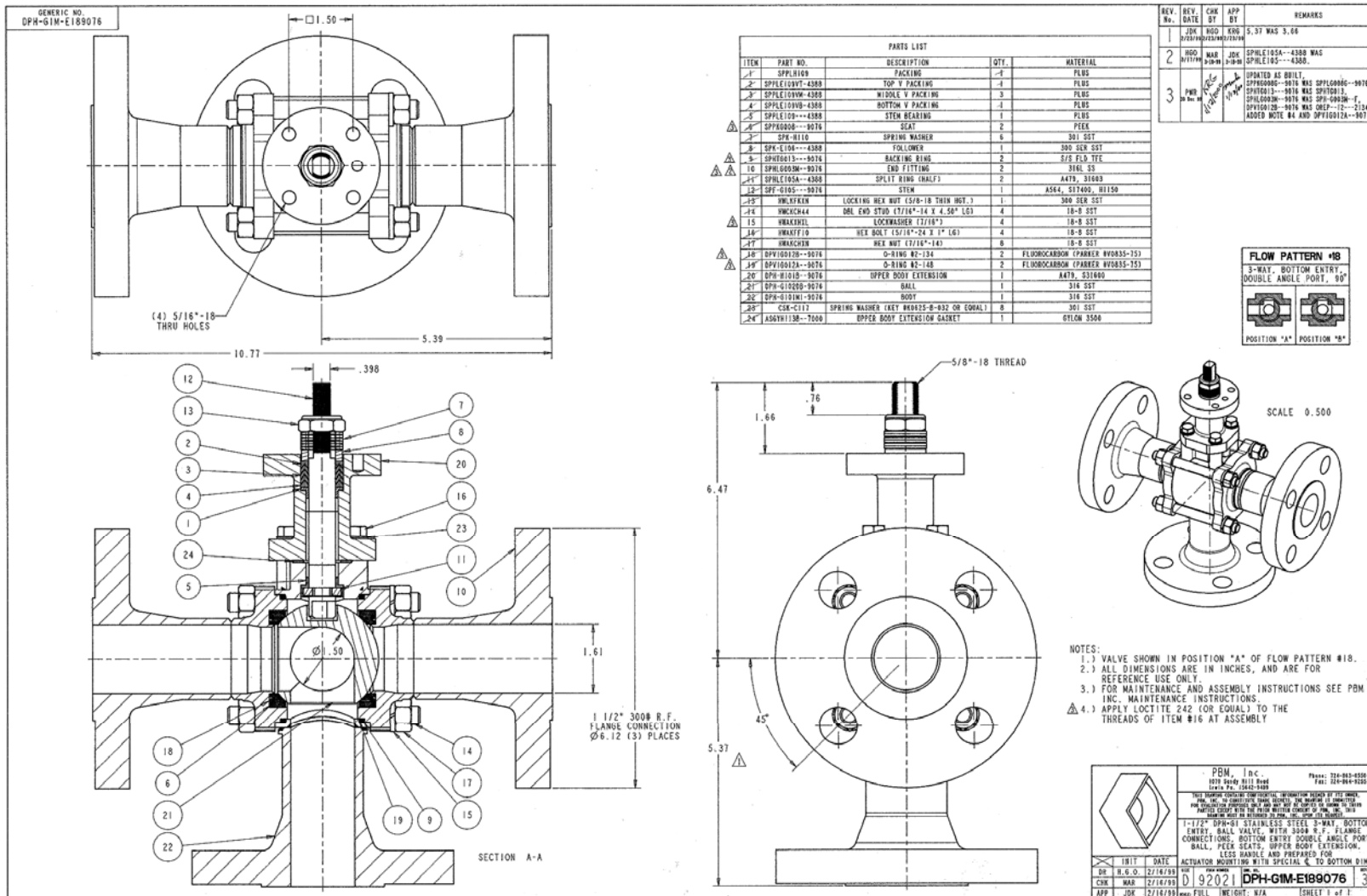


Industry: Chemical
 Product: Diverter Port ball vales
 Media: Syltherm



Application Brief: A manufacturer of fine chemicals replaced flow-restricting and difficult to automate globe valves with PBM full port diverter ball valves to direct Syltherm (a cooling fluid) through cooling jackets to control process temperature in their reactors.