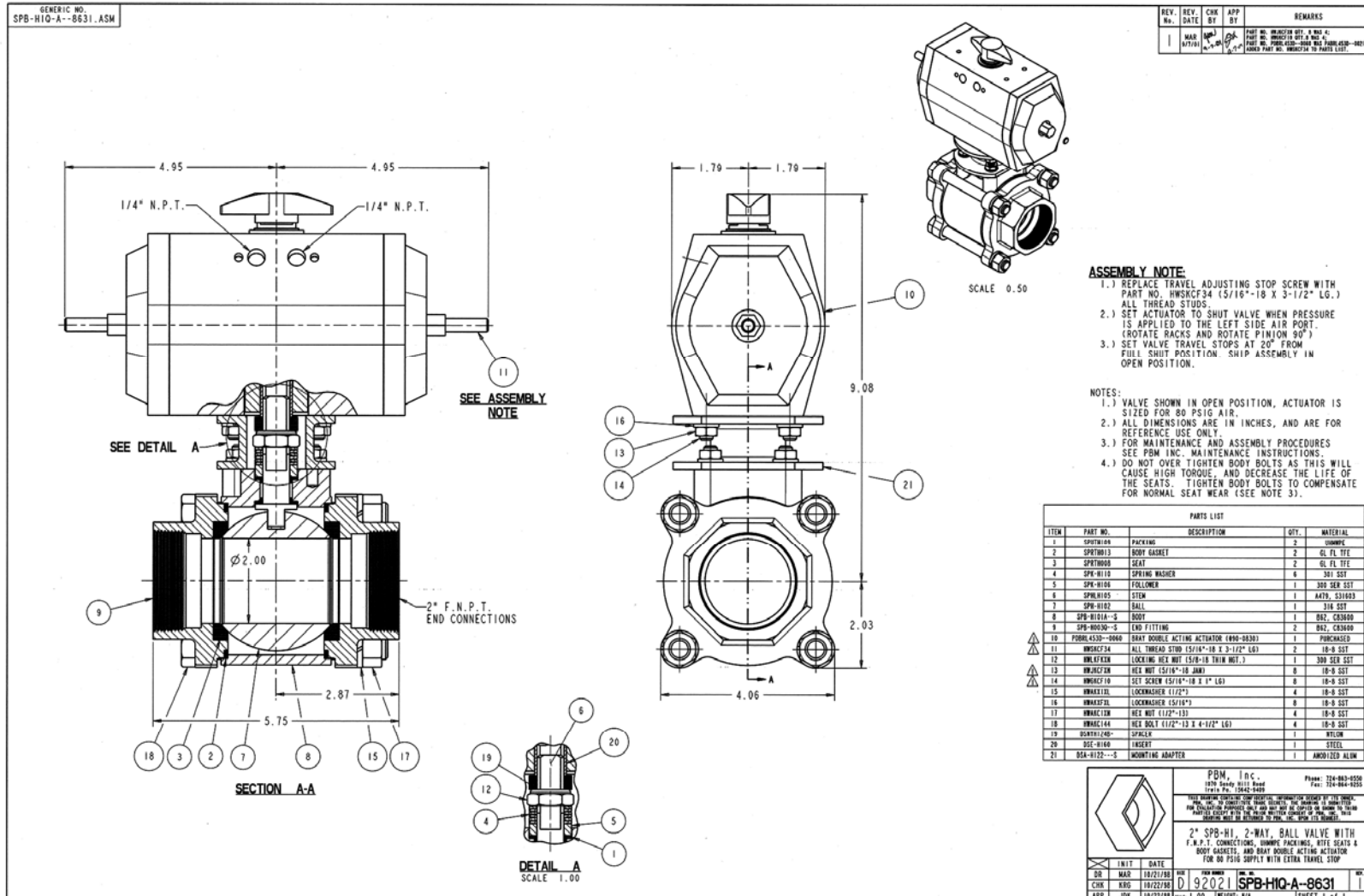


Industry: Chemical
 Product: 2-Way bronze valves
 Media: Machine coolant



Application Brief: A new chip filtering system installed at a machining center where metal motorcycle engine parts are produced required valves to control the flow of coolant. PBM valves were durable in high cycle applications meeting the 100-200 cycles per day specification. The 1 and 2" actuated valves made of 836 bronze controlled the flow of the ambient temperature machine coolant at 30 psi. PBM's adjustable sealing also reduced downtime.

APPL 1211-86