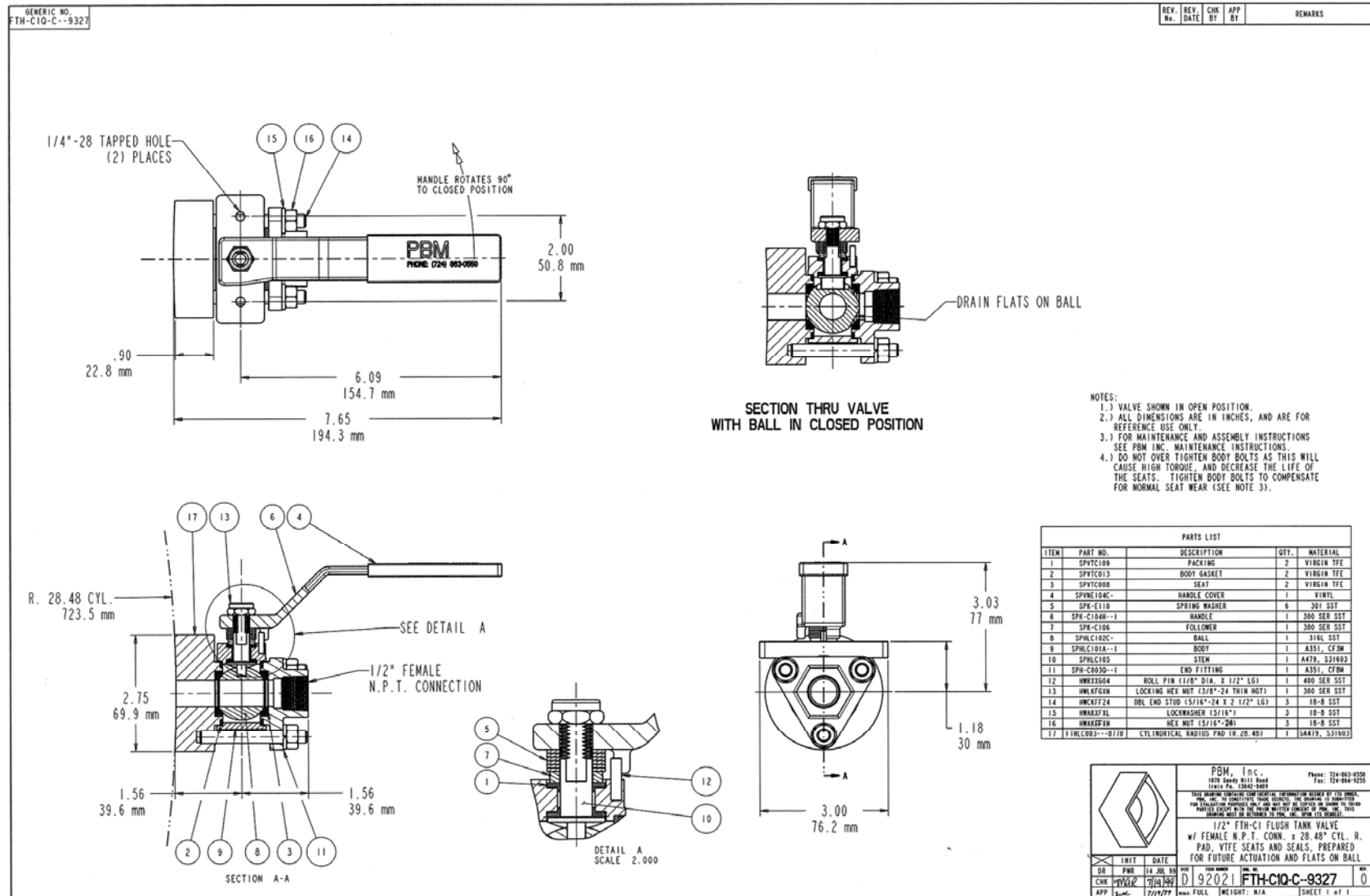


Industry: Food & Beverage
Product: Flush Tank valves
Media: Coffee liquor sampling



Application Brief: A major producer of confectioneries and coffee in the U.K. needed 1/2" and 2" valves for coffee liquor sampling on large tanks and 2" diameter pipelines. Minimum dead leg was needed to ensure a true sample.

APPL 1211-87