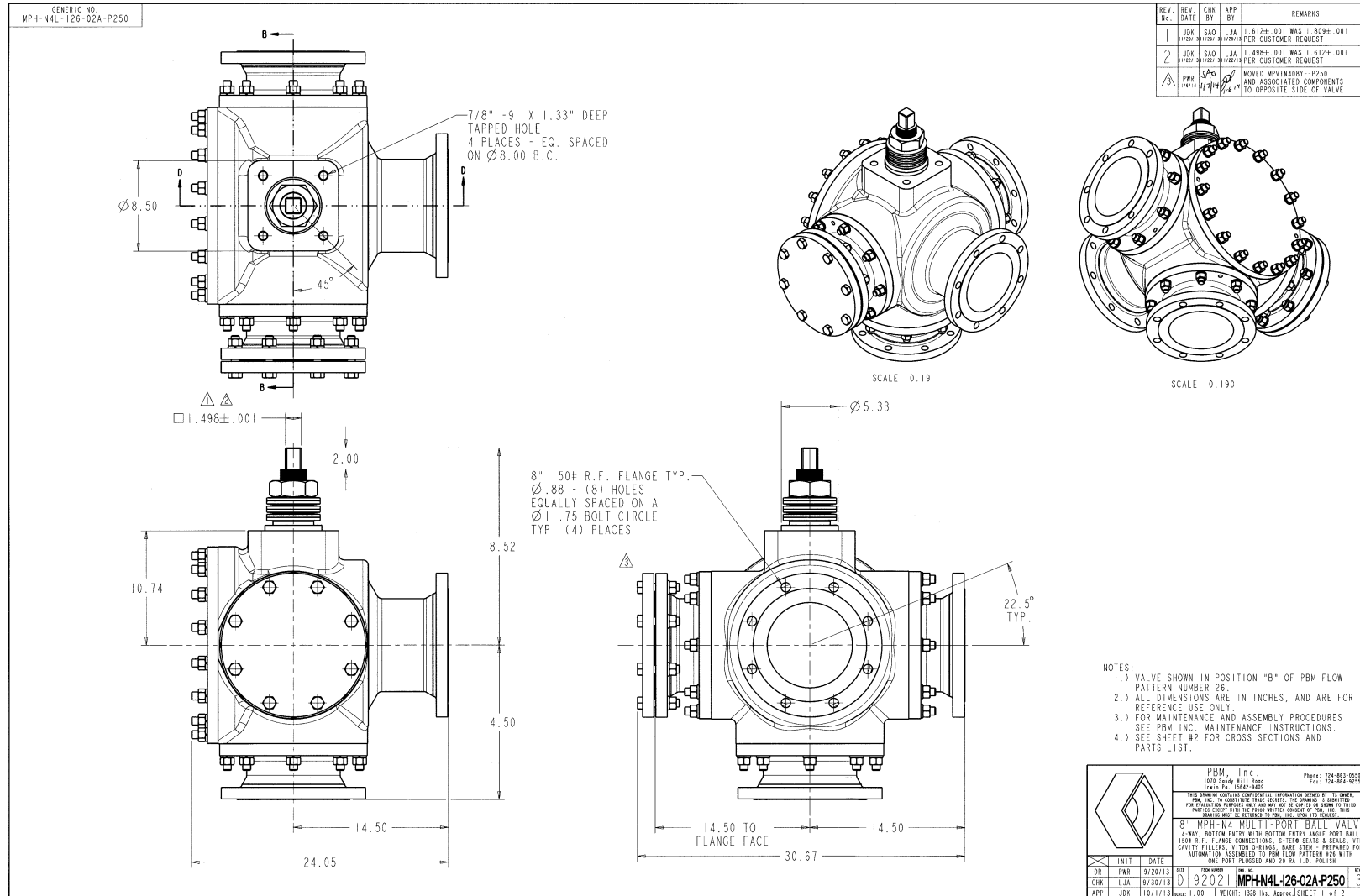


Industry: Beverage
 Media: Grapes
 Products: PBM Multiport Valves



www.pbmvalve.com



A major wine producer wanted a "bore to match pipe" (BTMP) valve to reliably and gently divert large quantities of grapes in multiple directions for processing while minimizing damage to the fruit. While maintaining room for expansion and minimizing weight. A valve was designed with an extra port for expansion. The ID of the valve was mechanically polished and soft "edge breaks" were machined onto the internal edges and on the ball to minimize fruit damage during valve directional transition.

APPL 1214-109

Industry: Beverage
Media: Grapes
Products: PBM Multiport Valves



www.pbmvalve.com

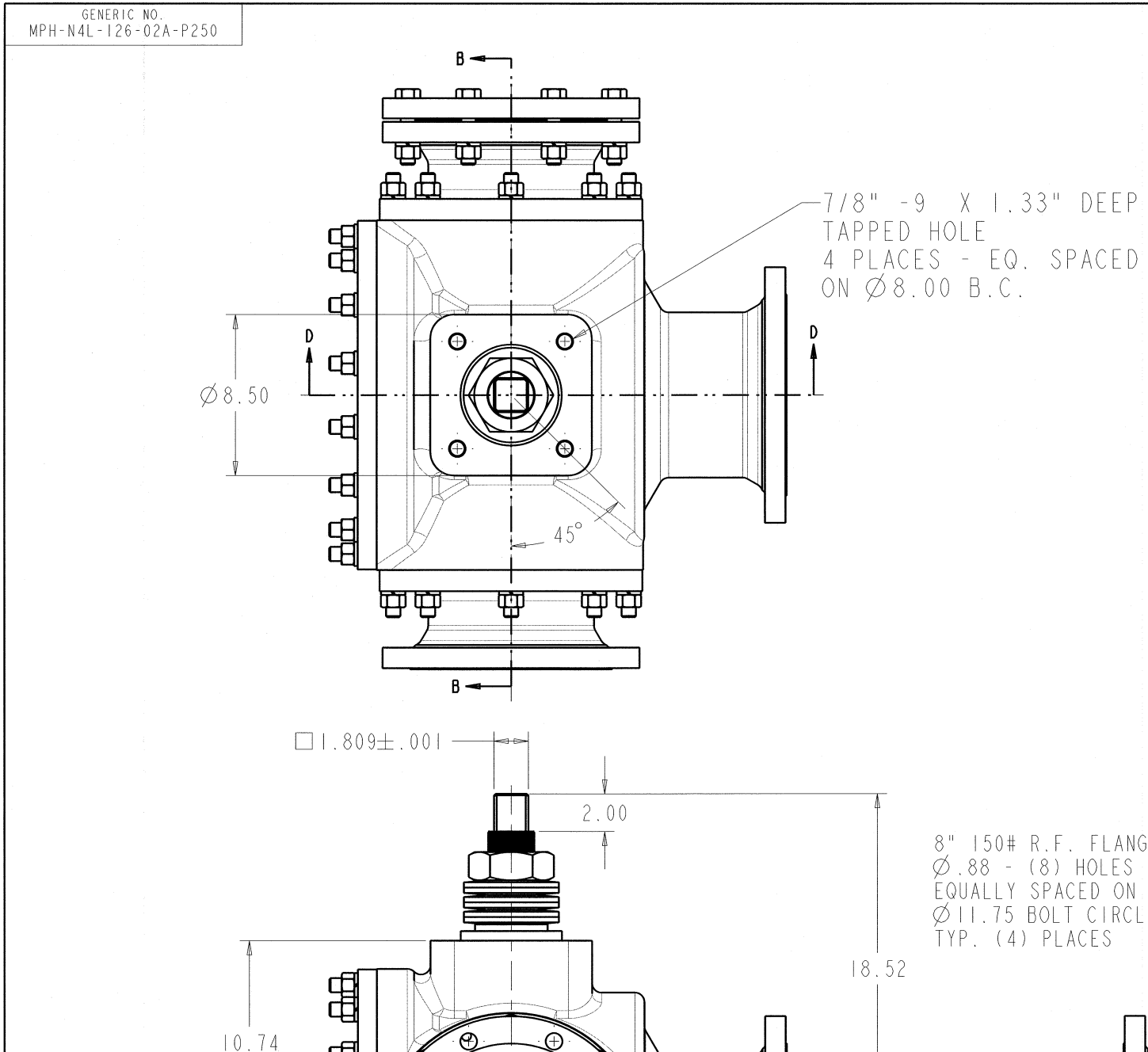
A major wine producer wanted a "bore to match pipe" (BTMP) valve to reliably and gently divert large quantities of grapes in multiple directions for processing while minimizing damage to the fruit. While maintaining room for expansion and minimizing weight. A valve was designed with an extra port for expansion. The ID of the valve was mechanically polished and soft "edge breaks" were machined onto the internal edges and on the ball to minimize fruit damage during valve directional transition.

APPL 1214-109

Industry: Beverage
Media: Grapes
Products: PBM Multiport Valves



www.pbmvalve.com



Industry: Beverage
Media: Grapes
Products: PBM Multiport Valves



www.pbmvalve.com

A major wine producer wanted a "bore to match pipe" (BTMP) valve to reliably and gently divert large quantities of grapes in multiple directions for processing while minimizing damage to the fruit. While maintaining room for expansion and minimizing weight. A valve was designed with an extra port for expansion. The ID of the valve was mechanically polished and soft "edge breaks" were machined onto the internal edges and on the ball to minimize fruit damage during valve directional transition.

APPL 1214-109