

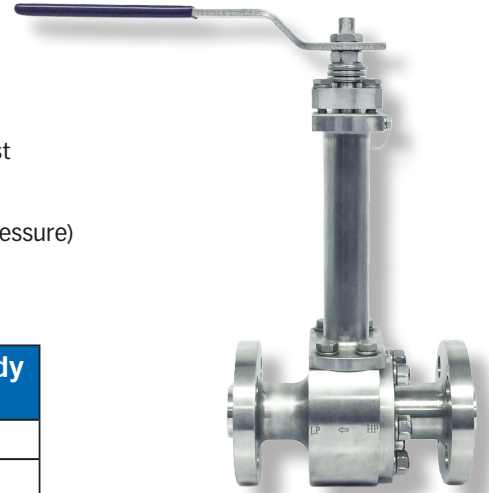
PBM ANSI CL600 CRYOGENIC VALVES, 2-Way, Full Port, Sizes 1/2" - 4", Flanged Ends



www.PBMValve.com

DESIGN FEATURES:

- Valve has been shown to exceed leakage performance per BS6364 and MSS SP-134
- **CN Series Cryogenic valves DO NOT have o-rings.**
- Live-loaded stem packings
- Fire Tested to API-607
- Designed and tested in accordance with ASME B31.1 and B16.34
- Cleaned for oxygen service.
- Optional API-622 Low-e Packing (cannot be cleaned for oxygen service)
- Quarter turn operation
- Locking lever handle or optional oval locking handwheel with special request
- Automation available
- Internal and external grounding
- Uni-directional flow and vented ball, marked HP (high pressure) & LP (low pressure) on valve body
- With or without extended stem



SPECIFICATIONS	CN - 2-Way, Full Port, Split Body Flanged Class 150 or 300
Sizes	1/2" - 4"
Body, Ball, End Fitting Material	316 Stainless Steel
Stem Material	17-4 PH Stainless Steel
Seats & Lower Stem Packing Material	V-TEF™
Body Gaskets & Upper Stem Packing	Graphite
Handle	300 Stainless Steel
Maximum Working Pressure	1440 psig CWP with CL600 Flanged end connections.

CV and WEIGHTS		
Size	CV (gpm)	Weight (lbs.)
1/2"	12	16*
3/4"	30	20*
1"	60	36*
1-1/2"	155	83*
2"	293	94*
3"	745	198*
4"	1322	391*

CRYOGENIC ALLOWABLE LEAKAGE RATE COMPARISON		
NPS	MSS-SP-134-2010	BS 6364-1984
1/2"	37.50	90
3/4"	56.25	120
1"	75	150
1-1/2"	112.50	240
2"	150	300
3"	225	480

*Stem prep for automation

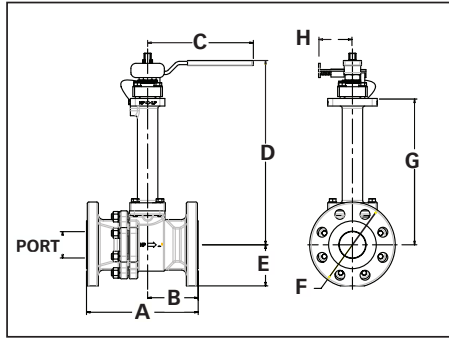
HOW TO ORDER:

PRODUCT (1-2) MATERIAL (3-4)			SIZE (5) SERIES (6)			END CONN. (7-8)		SEAT & SEAL (9)		PURGE PORT OPTIONS (10-11)		BONNET (12)		OPERATOR (13-14)		OXYGEN CLEAN (15-16)	
CN	H	316 S/S	D	3/4"	6	N	CL600 RF Flange	G	V-TEF™/Graphite Seals Spiral wound graphite stem packing	--	No Purge Ports	-	Standard Bonnet	02	No Handle, Stem Actuator Prep	- L	Oxygen Clean Per PBM Procedure "G" seat / seal code only
Other material options available - Contact PBM.			E	1"				Z	V-TEF™/Graphite Seals Low Emission graphite stem packing			V	12" Tall Bonnet	04	Locking Lever Handle - Std. 1/2" thru 1" Only	--	NO Oxygen Clean "Z" seat / seal code only
			G	1-1/2"				Note: Valves with "Z" code will not be oxygen cleaned.						08	Gear Operator Std. 1-1/2"- 4" Only		
			H	2"										20	DA 80psig actuator		
			K	3"										27	DA 60psig actuator		
			L	4"										34	SR 80psig actuator		
														41	SR 60psig actuator		

Other operator options available - Contact PBM.

<http://pbmvalve.com/build-a-part-number>

PBM ANSI CL600 CRYOGENIC BALL VALVE DIMENSIONS



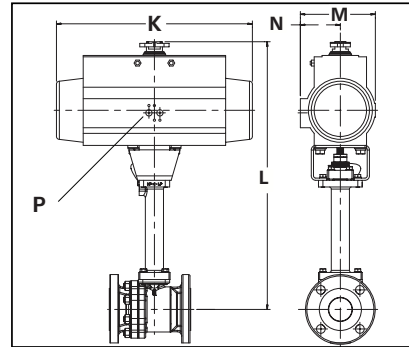
CN with Lever Handle

MANUAL CN CRYOGENIC VALVES

Size	Ball Port	A	B	C	D	E	F	G	H	Hole Dia. for Lock
		Overall Length	CL to End Face	Handle Length	CL to Top of Stem	CL to Valve Bottom	Flange Dia.			
1/2"	0.50	6.50	3.11	8.09	10.21	1.81	3.75	7.87	2.08	0.28
3/4"	0.75	7.50	3.75	8.09	10.21	2.25	4.62	7.87	2.08	0.28
1"	1.00	8.50	4.07	18.03	11.14	2.38	4.88	7.70	2.57	0.38
1-1/2"	1.50	9.50	4.02	CF	CF	3.38	6.12	10.81	CF	CF
2"	2.00	11.50	5.75	CF	CF	3.25	6.50	11.11	CF	CF
3"	3.00	14.00	6.00	CF	CF	4.31	8.25	13.41	CF	CF
4"	4.00	17.00	7.75	CF	CF	5.69	10.75	15.08	CF	CF

ACTUATED DIMENSIONS

Unit of Measure = inches
Dimensions based on actuators used with V-TEF™ seats.



Size	60 psi Double Acting					80 psi Double Acting					60 psi Spring Return					80 psi Spring Return				
	K	L	M	N	P	K	L	M	N	P	K	L	M	N	P	K	L	M	N	P
1/2"	6.46	14.32	3.17	1.77	1/8"	6.46	14.32	3.17	1.77	1/8"	9.48	15.58	4.17	2.30	1/8"	9.48	15.58	4.17	2.30	1/8"
3/4"	8.27	15.03	3.72	2.07	1/8"	6.46	14.32	3.17	1.77	1/8"	10.83	16.08	4.84	2.68	1/4"	10.83	16.08	4.84	2.68	1/4"
1"	10.83	16.91	4.84	2.68	1/4"	10.83	16.91	4.84	2.68	1/4"	17.13	19.64	6.46	3.44	1/4"	17.13	19.64	6.46	3.44	1/4"
1-1/2"	14.65	22.86	5.83	3.15	1/4"	13.11	22.38	5.39	2.87	1/4"	19.69	24.69	7.32	3.90	1/4"	19.69	24.69	7.32	3.90	1/4"
2"	17.13	24.05	6.46	3.44	1/4"	14.65	23.16	5.83	3.15	1/4"	22.76	27.24	8.54	4.29	1/4"	19.41	26.25	8.38	4.53	1/4"
3"	17.13	28.35	6.46	3.44	1/4"	14.65	27.46	5.83	3.15	1/4"	26.46	36.30	11.42	5.71	1/4"	22.76	31.54	8.54	4.29	1/4"
4"	19.69	30.96	7.32	3.90	1/4"	19.69	30.96	7.32	3.90	1/4"	26.46	37.97	11.42	5.71	1/4"	26.46	37.97	11.42	5.71	1/4"



<http://pbmvalve.com/valves/cryogenic-valves>

<http://pbmvalve.com/maintenance-instructions>

www.PBMValve.com

PBM, Inc. • 1070 Sandy Hill Road, Irwin, PA 15642

Phone: 800.967.4PBM • 724.863.0550

E-mail: info@pbmvalve.com

