

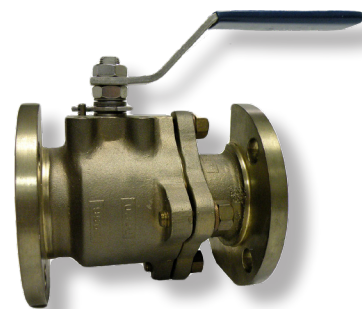
PBM LEAD-FREE BRONZE BALL VALVES

1/2" - 6" ANSI Split-Body Flanged Ball Valves

1/2" - 4" 2-Way 3-Piece Ball Valves

MATERIAL DESIGN FEATURES:

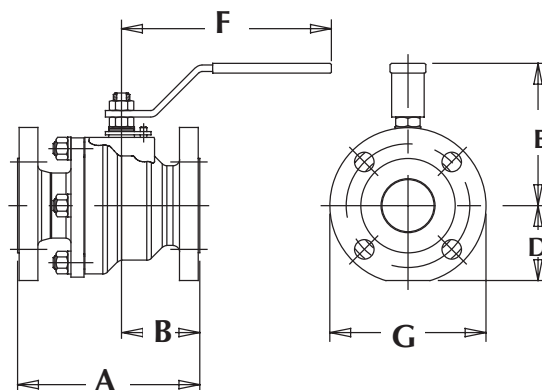
- COMPLIANT WITH NSF-372 "LEAD-FREE" REQUIREMENTS
- MEETS THE LEAD CONTENT REQUIREMENTS OF NSF-61
- MATERIALS: BISMUTH TIN BRONZE C89833/C89835 OR SILICON BRONZE C87600
- "LEAD FREE" IS DEFINED IN PUBLIC LAW 111-380 (REDUCTION OF LEAD IN DRINKING WATER ACT) AS <0.25% LEAD CONTENT IN PRODUCT CONTACT MATERIALS



ANSI, AN SERIES 1, 150# CLASS

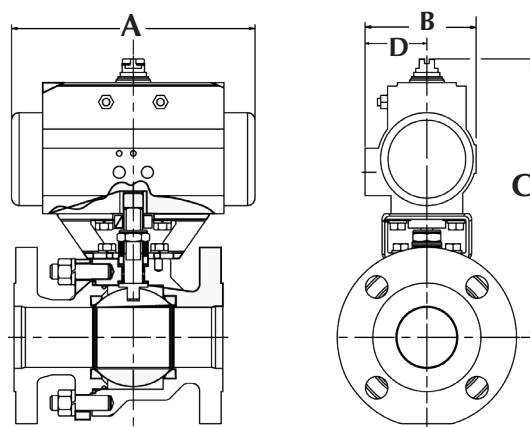
AN Series seawater valves are 2-piece valves with two flanged end fittings and meet ANSI B16.10 long pattern face to face dimensions. In addition, encapsulated seats facilitate performance in high-velocity applications and support the seats in elevated temperature applications.

Valve Size	Port Dia.	A	B	D	E	F	G	Approx. Weight (lbs.)
		Overall Length	CL to Face End	CL to Bottom of Flange	CL to top of Handle	Handle Length from CL	Flange Dia.	
1/2"	.62	4.25	1.76	1.62	3.07	6.09	3.50	6
3/4"	.81	4.62	1.94	1.88	3.14	6.09	3.88	9
1"	1.00	5.00	2.20	2.06	3.80	6.09	4.25	10
1-1/2"	1.50	6.50	2.78	2.38	5.25	8.06	5.00	20
2"	2.00	7.00	2.99	2.88	5.56	8.06	6.00	24
3"	3.00	8.00	3.62	3.75	7.08	12.06	7.50	92
4"	4.00	9.00	3.84	4.50	7.93	14.06	9.00	118
6"	6.00	15.50	7.35	6.98	CF	CF	11.00	330



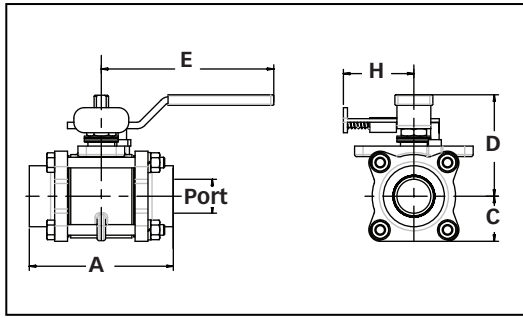
RTFE OR UHMWPE SEAT MATERIAL							
Size	Actuator Type	Air Supply (psig)	A	B	C	D	NPT
1/2"	Double Acting	60, 80	5.55	2.80	6.30	1.61	1/8
	Spring Return	80	6.46	3.17	6.30	1.77	1/8
	Spring Return	60	8.27	3.72	6.75	2.07	1/8
3/4"	Double Acting	60, 80	5.55	2.80	6.41	1.61	1/8
	Spring Return	60, 80	6.46	3.17	6.86	1.77	1/8
1"	Double Acting	60, 80	5.55	2.80	7.64	1.61	1/8
	Spring Return	80	8.27	3.72	8.80	2.07	1/8
	Spring Return	60	9.47	4.17	8.80	2.30	1/8
1-1/2"	Double Acting	60, 80	8.27	3.72	8.97	2.07	1/8
	Spring Return	80	10.83	4.84	9.52	2.67	1/4
	Spring Return	60	13.11	4.84	10.15	2.68	1/4
2"	Double Acting	60, 80	8.27	3.72	9.28	2.07	1/8
	Spring Return	80	10.83	4.84	10.33	2.67	1/4
	Spring Return	60	13.11	5.39	10.33	2.87	1/4
3"	Double Acting	60, 80	13.11	5.39	14.25	2.87	1/4
	Spring Return	80	14.65	5.83	14.73	3.15	1/4
	Spring Return	60	17.13	6.46	15.62	3.44	1/4
4"	Double Acting	80	13.11	5.39	17.26	2.87	1/4
	Double Acting	60	14.65	6.46	17.26	3.44	1/4
	Spring Return	60, 80	19.69	7.36	19.57	3.94	1/4
6"	Double Acting	60, 80	19.69	7.36	21.54	3.94	1/4
	Spring Return	80	22.78	8.58	23.79	4.29	1/4
	Spring Return	60	26.46	11.42	28.55	5.71	1/4

ANSI, AN SERIES 1, ACTUATED

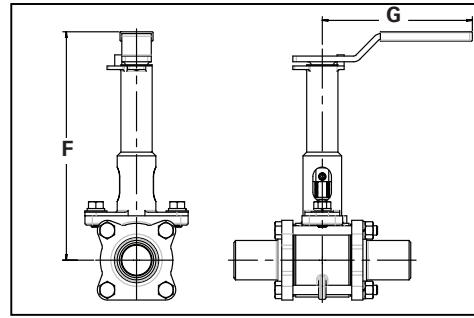


PBM INDUSTRIAL 2-WAY BALL VALVES, SERIES 5, MANUAL*

2-Way Valve with Locking Handle



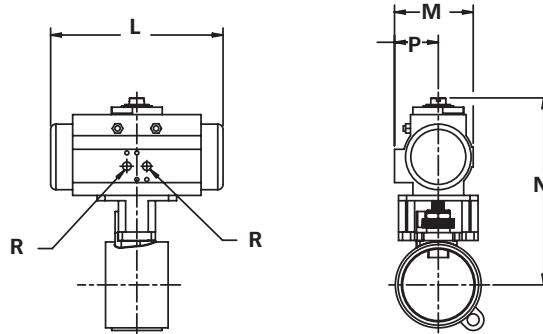
2-Way Valve with Ext. Locking Handle



Valve Size	Size Code	Port Dia.	A		C	D	E	Ext. Locking Handle		Locking Handle		Approx. Weights		
			Face to Face					Q- U- S- T- U-	Q to Bottom	Q to Top of Handle	Handle Length from Q	F	G	H
			Q- U- S- T- U-	L-										
1/2"	C	0.5	3.12	5.5	0.92	2.63	4.15	7.19	5.09	1.62	.25	1.7 lbs.	4.0 lbs.	
3/4"	D	0.75	3.44	5.8	1	2.78	4.15	7.34	5.09	1.62	.25	2.0 lbs.	5.2 lbs.	
1"	E	1	4.25	6.5	1.33	3.03	5.09	7.62	5.09	2.08	.28	4.5 lbs.	8.7 lbs.	
1-1/2"	G	1.5	5.5	8	1.78	4.1	8.68	9.45	8.00	2.58	.38	10.2 lbs.	17.4 lbs.	
2"	H	2	6	9.8	2.15	4.41	8.68	9.76	8.00	2.58	.38	15.4 lbs.	26.5 lbs.	
2-1/2"	J	2.5	8	11.5	2.79	6.45	12.44	11.36	12.06	3.47	.38	36.0 lbs.	53.5 lbs.	
3"	K	3	9	12.8	3.14	6.78	12.44	11.69	12.06	3.47	.38	48 lbs.	68 lbs.	
4"	L	4	12	15	4.91	7.34	24.4	13.97	24.06	NA	.44	109 lbs.	157 lbs.	

ACTUATED DIMENSIONS

Unit of Measure = inches
Dimensions based on actuators used with V-TEF™ seats.



Size	80 PSI Double Acting					60 PSI Double Acting					80 PSI Spring Return					60 PSI Spring Return				
	L	M	N	P	R	L	M	N	P	R	L	M	N	P	R	L	M	N	P	R
1/2"	5.55	2.8	5.84	1.61	1/8	5.55	2.8	5.84	1.61	1/8	5.55	2.8	5.84	1.61	1/8	6.46	3.17	6.29	1.77	1/8
3/4"	5.55	2.8	5.99	1.61	1/8	5.55	2.8	5.99	1.61	1/8	6.46	3.17	6.44	1.77	1/8	6.46	3.17	6.44	1.77	1/8
1"	5.55	2.8	6.64	1.61	1/8	5.55	2.8	6.64	1.61	1/8	8.27	3.72	7.8	2.07	1/8	8.27	3.72	7.80	2.07	1/8
1-1/2"	6.46	3.17	8.39	1.77	1/8	8.27	3.72	9.1	2.07	1/8	10.83	4.84	10.15	2.68	1/4	10.83	4.84	10.15	2.68	1/4
2"	8.27	3.72	9.41	2.07	1/8	8.27	3.72	9.41	2.07	1/8	10.83	4.84	10.46	2.68	1/4	13.11	5.39	11.82	2.87	1/4
2-1/2"	13.11	5.39	13.48	2.87	1/4	13.11	5.39	13.48	2.87	1/4	13.11	5.39	13.48	2.87	1/4	14.65	5.83	13.96	3.15	1/4
3"	13.11	5.39	13.81	2.87	1/4	13.11	5.39	13.81	2.87	1/4	14.65	5.83	14.29	3.15	1/4	17.15	6.46	15.18	3.44	1/4
4"	17.15	6.46	17.34	3.44	1/4	17.15	6.46	17.34	3.44	1/4	19.69	7.36	18.28	3.94	1/4	19.69	7.36	18.28	3.94	1/4

<http://www.pbmvalve.com/valves/2-way-ball-valve-industrial>
<http://pbmvalve.com/maintenance-instructions>



*LEAD FREE: The wetted surfaces of this product shall contain no more than 0.25% lead by weighted average.

www.PBMValve.com

PBM, Inc. • 1070 Sandy Hill Road, Irwin, PA 15642

Phone: 800.967.4PBM • 724.863.0550

E-mail: info@pbmvalve.com

© Copyright 2018 PBM, Inc. PB-LF

